



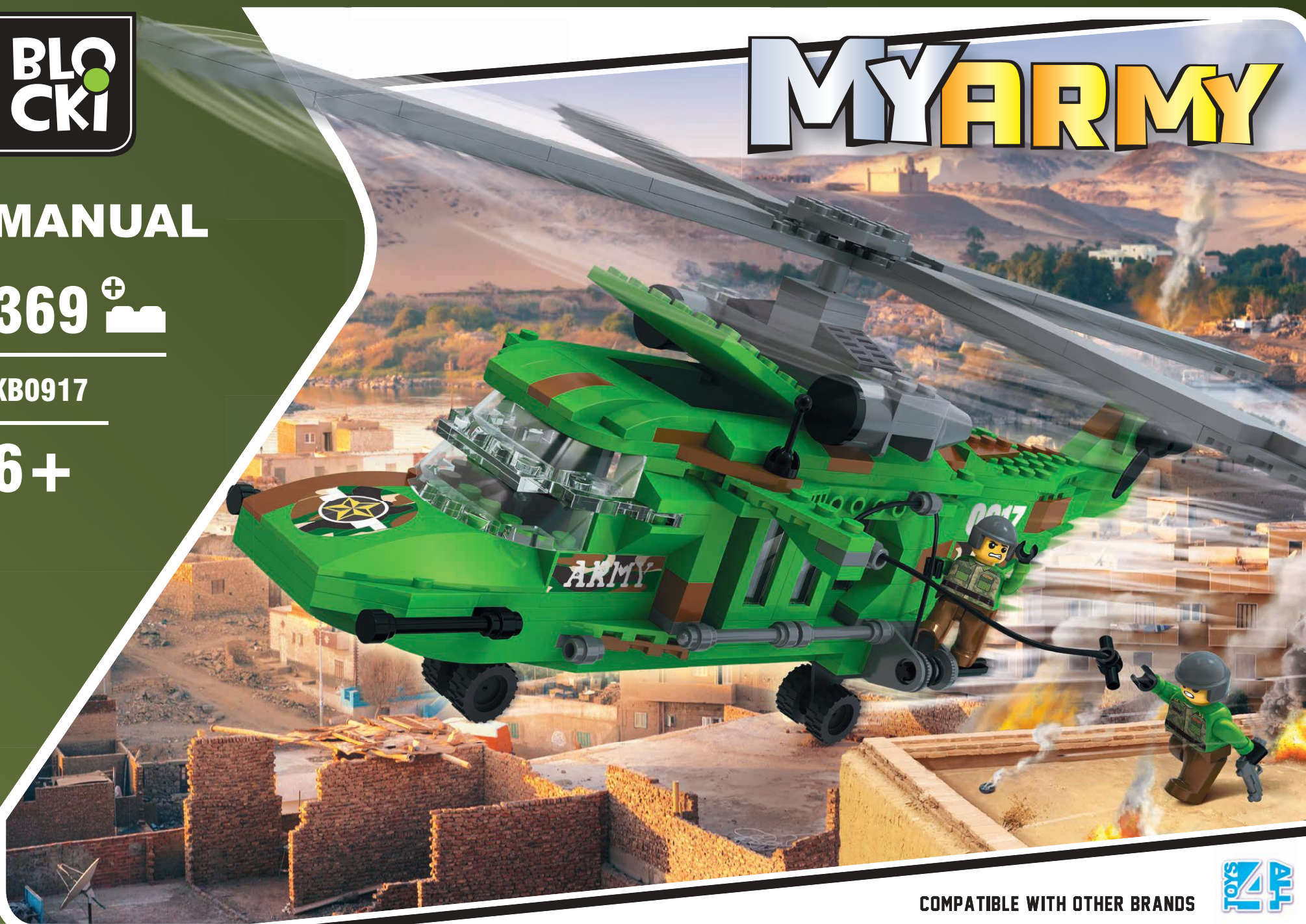
MANUAL

369⁺ 

KB0917

6+

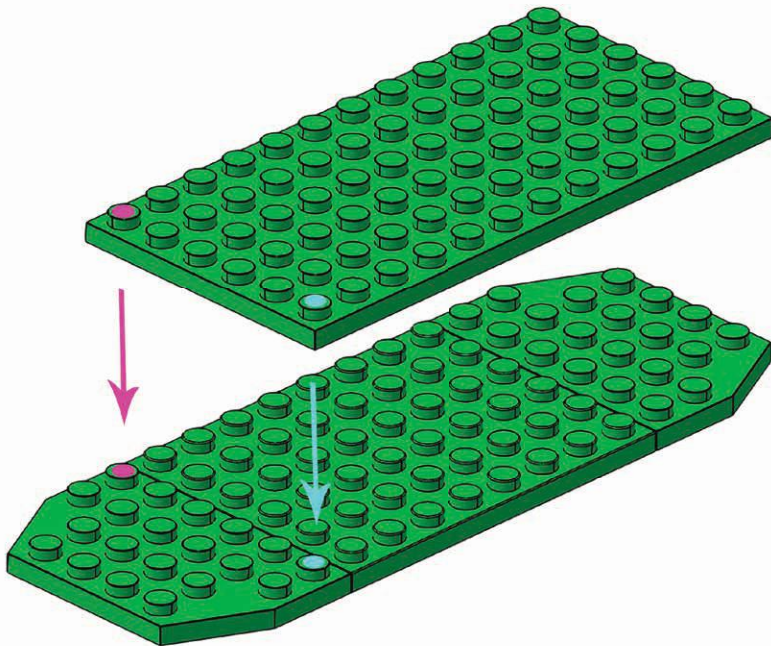
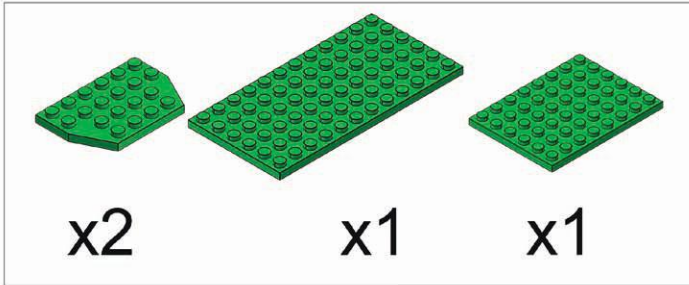
MY ARMY



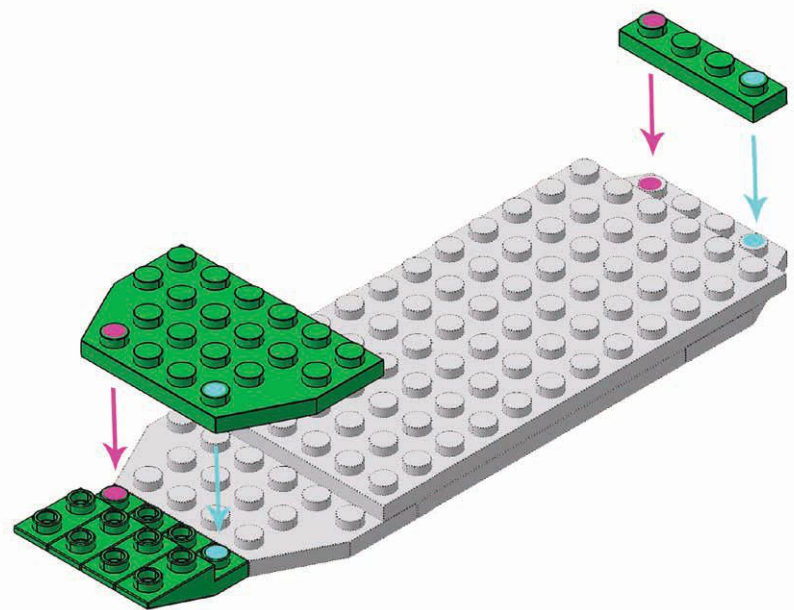
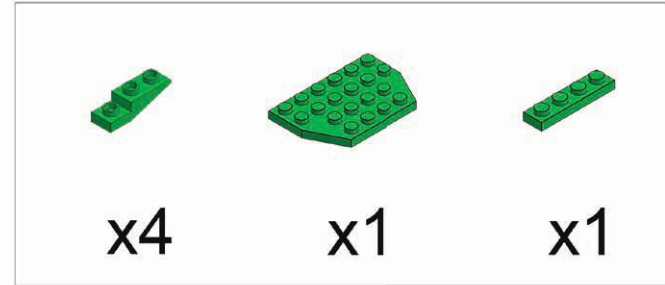
COMPATIBLE WITH OTHER BRANDS

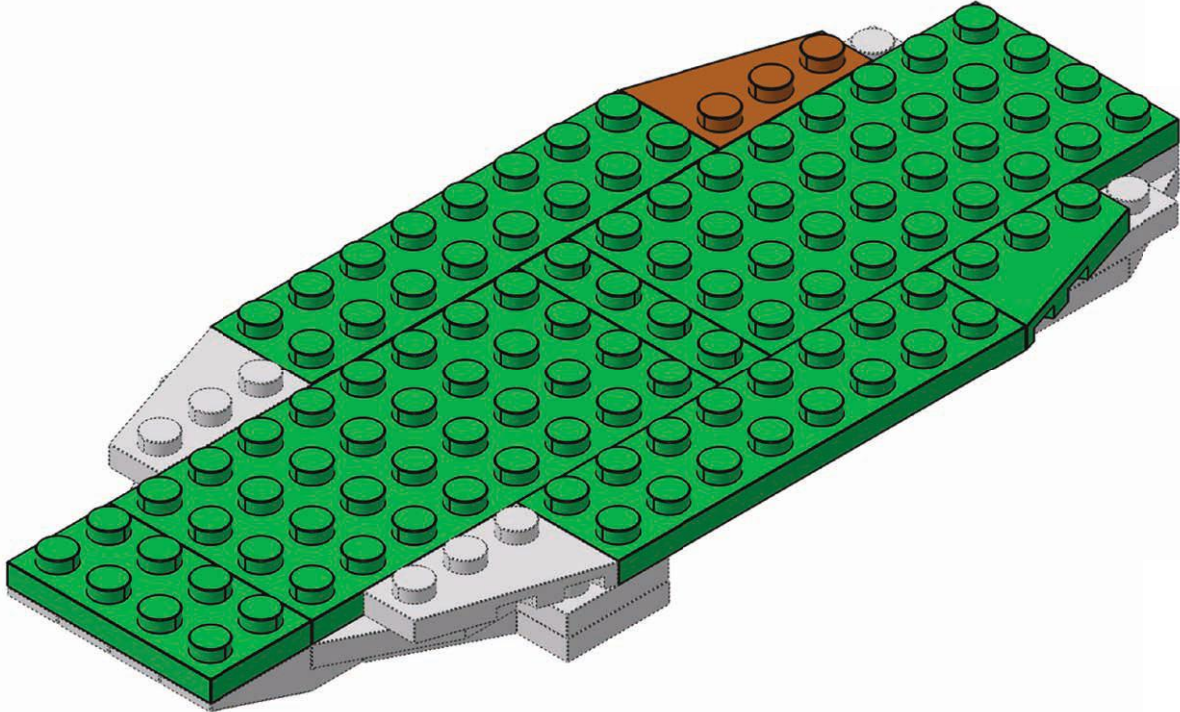
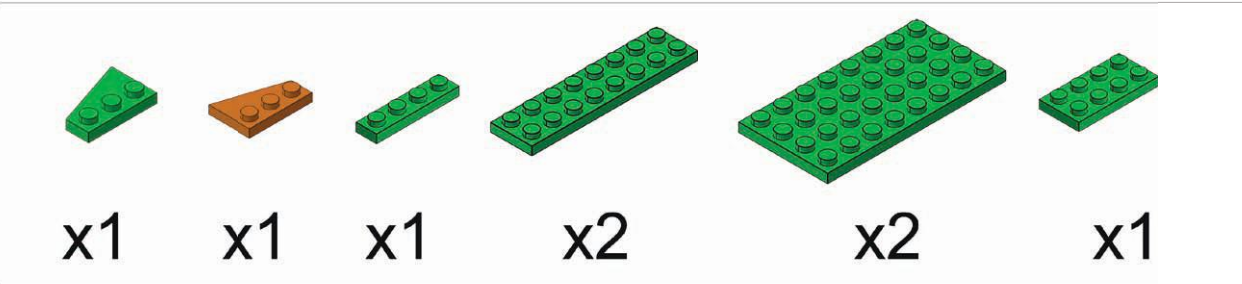


1

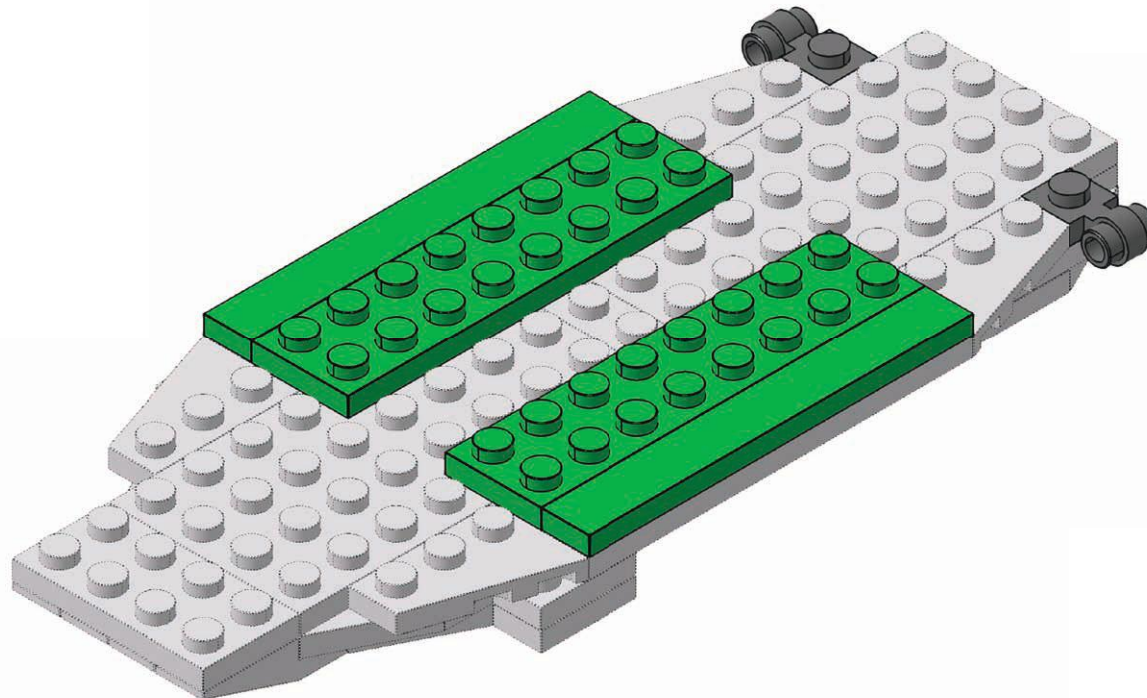
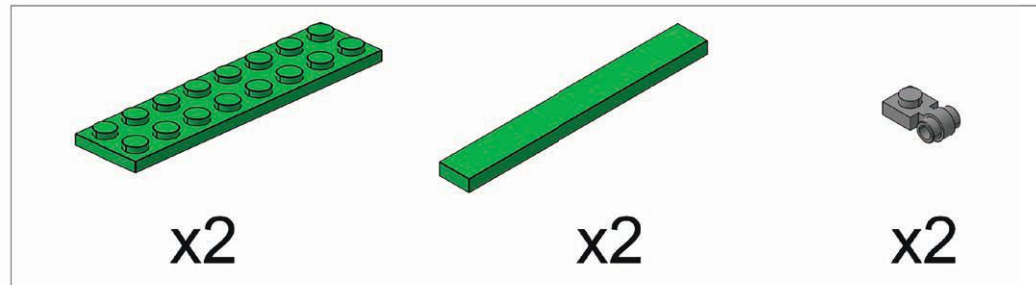


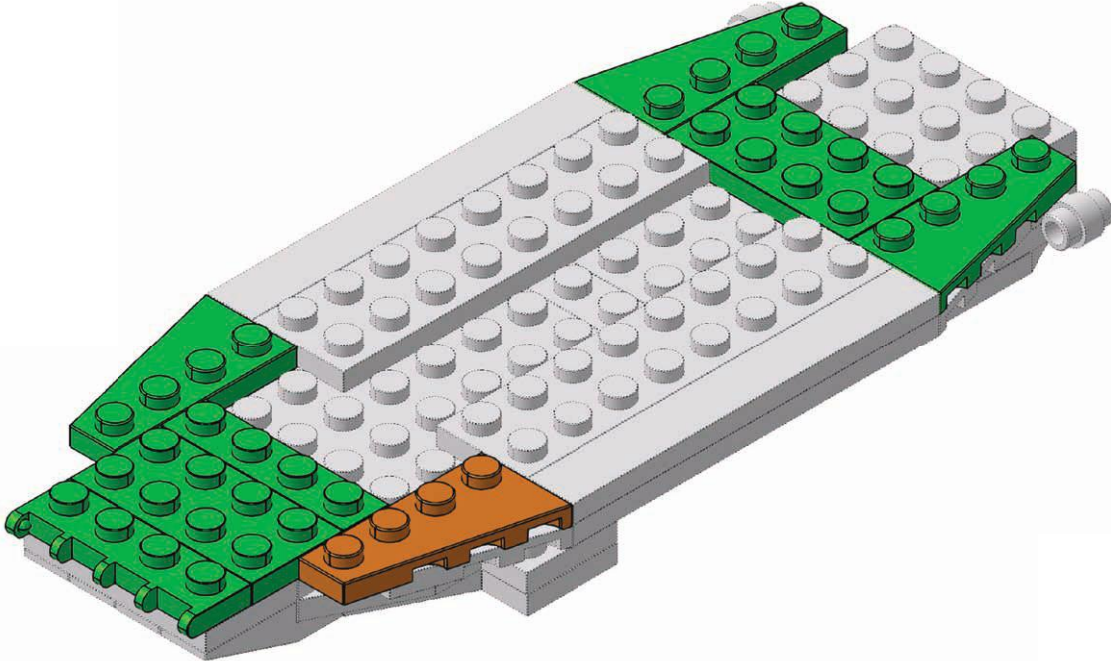
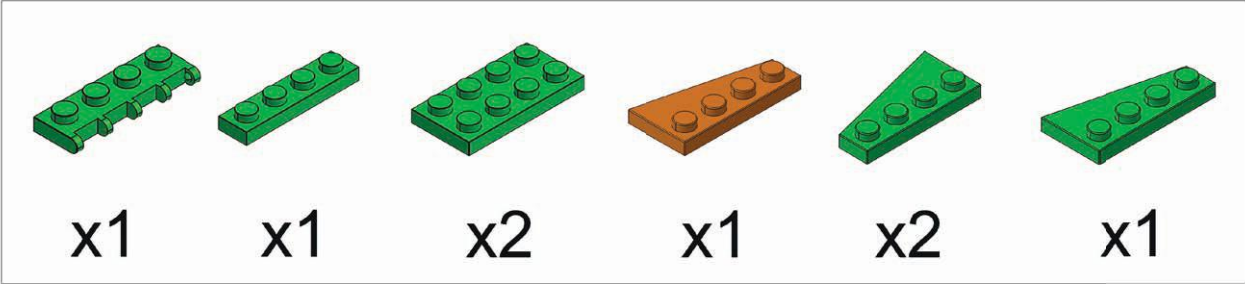
2



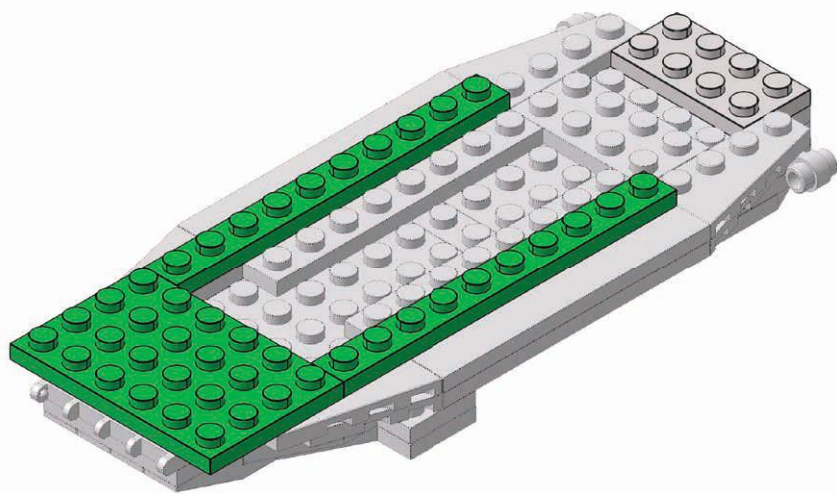
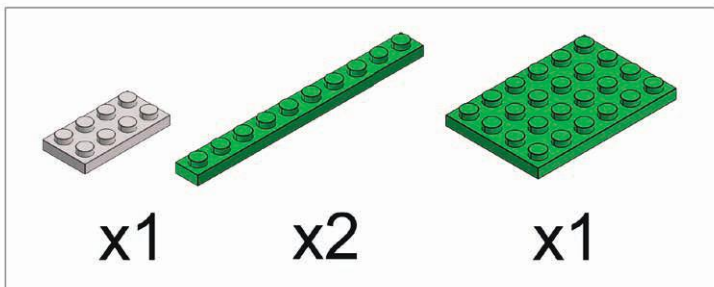


5

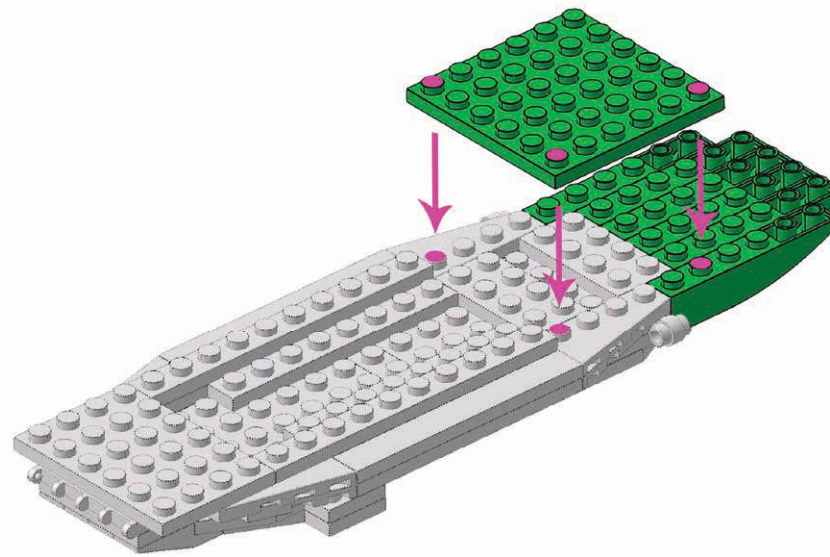
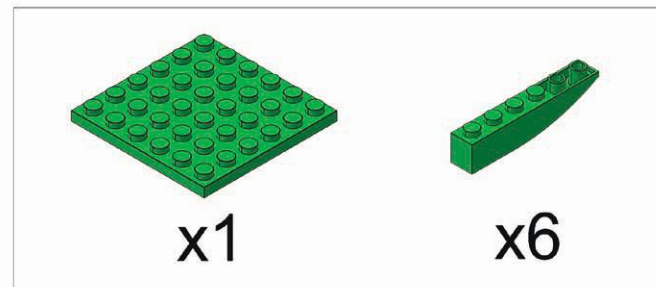




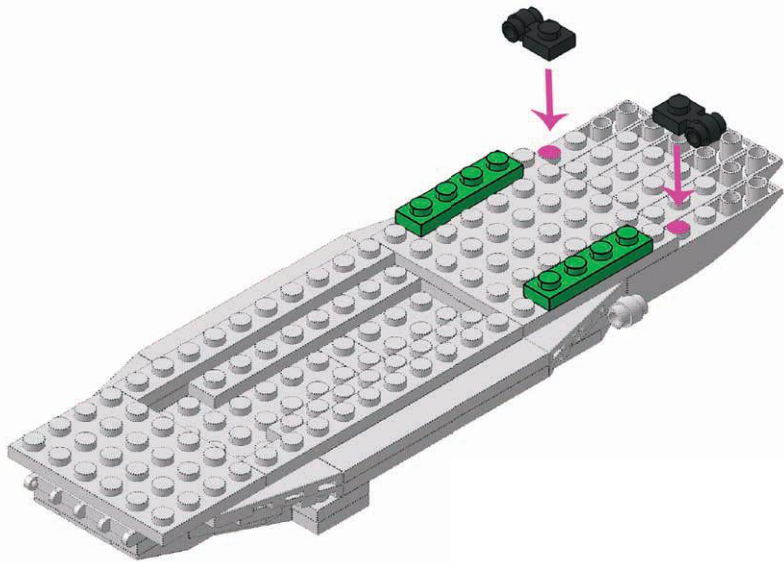
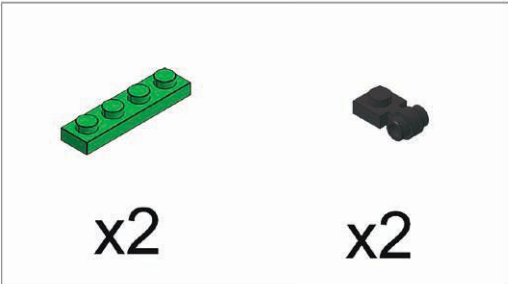
7



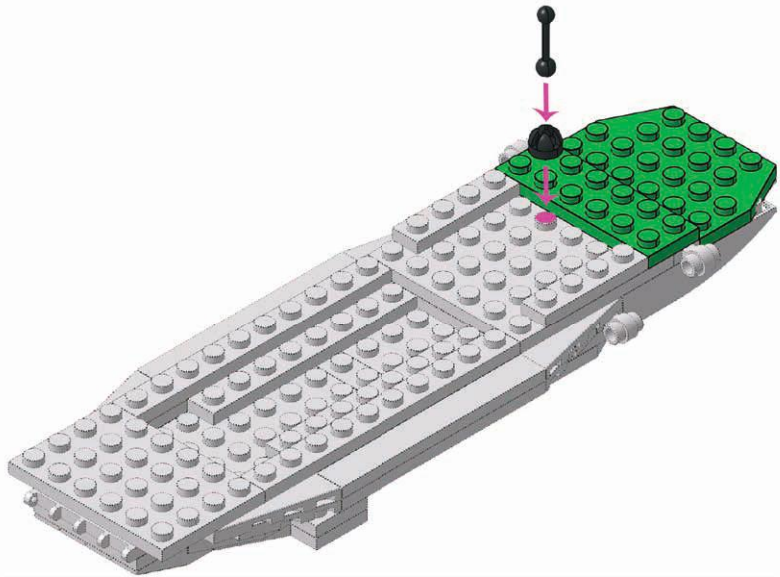
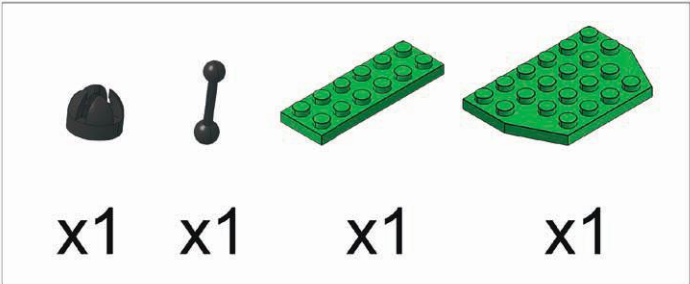
8



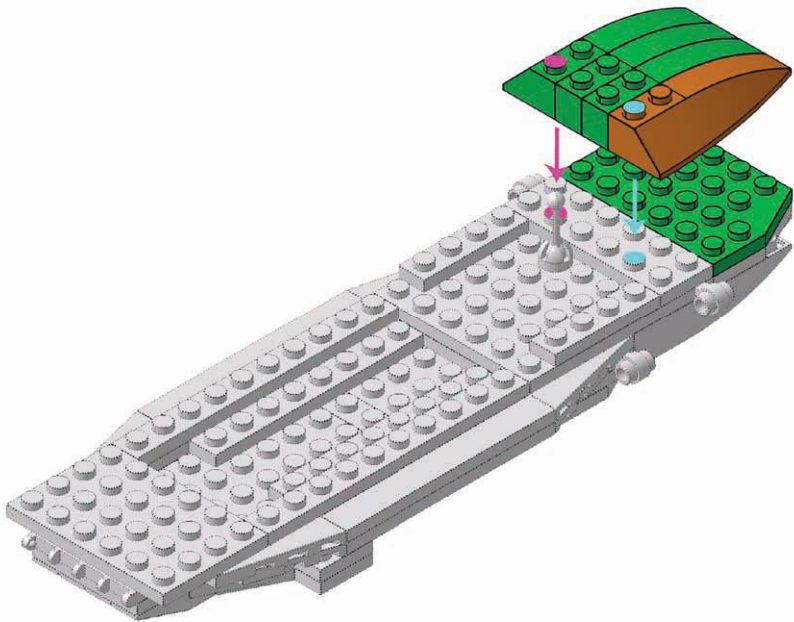
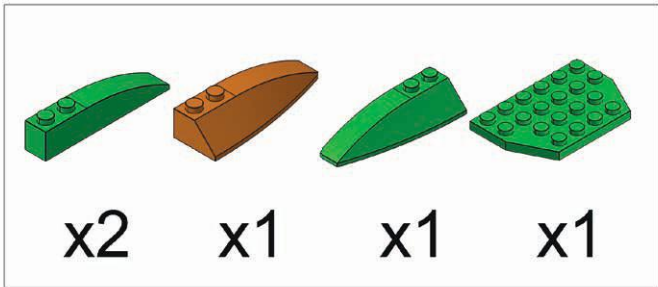
9



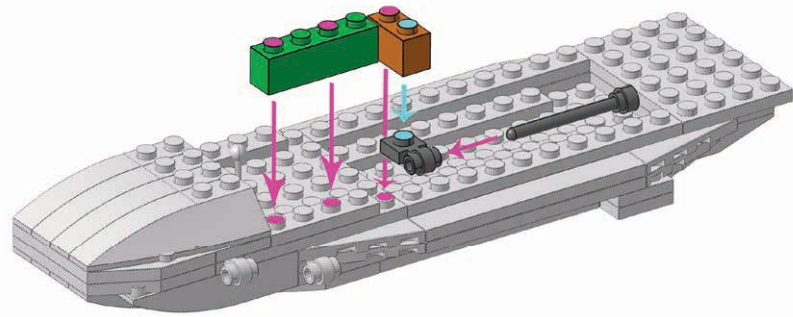
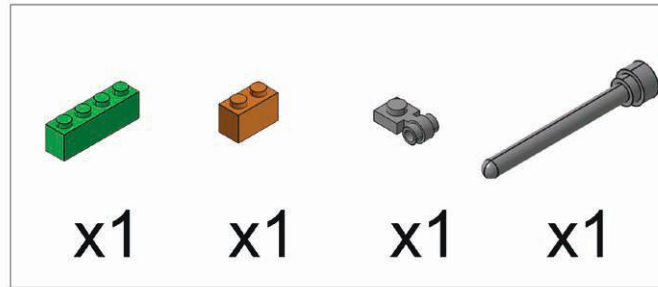
10



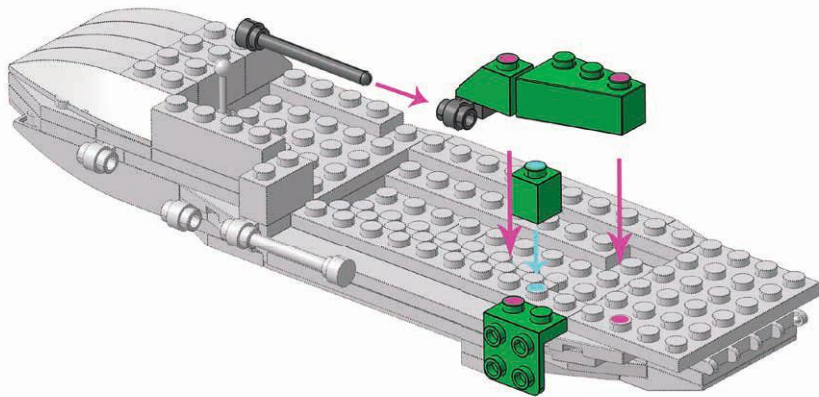
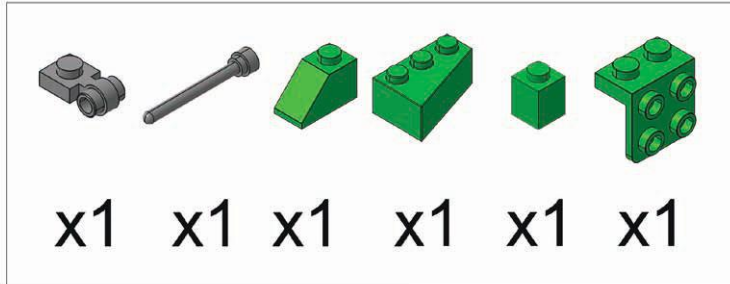
11



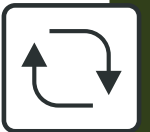
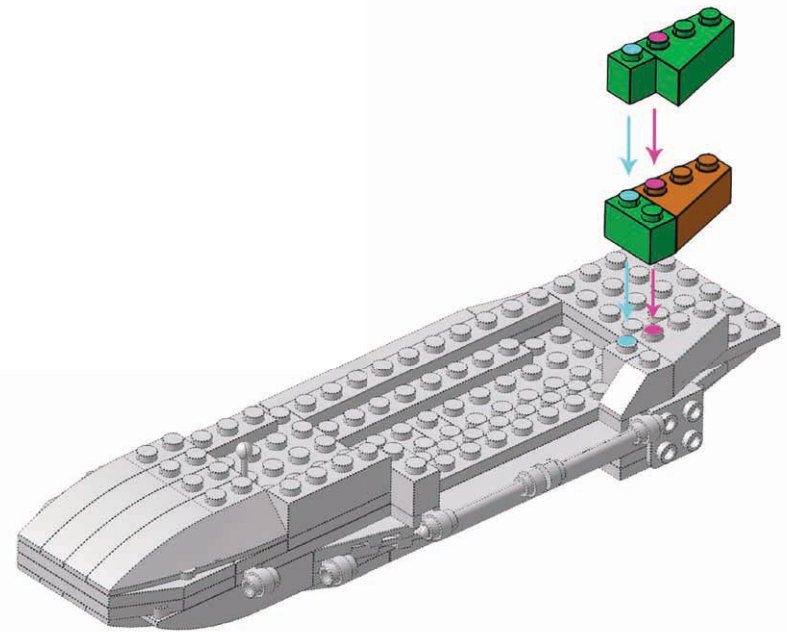
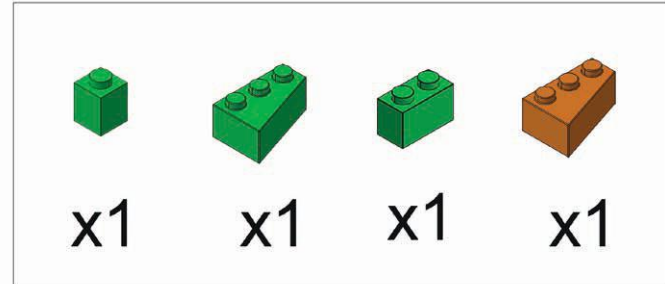
12



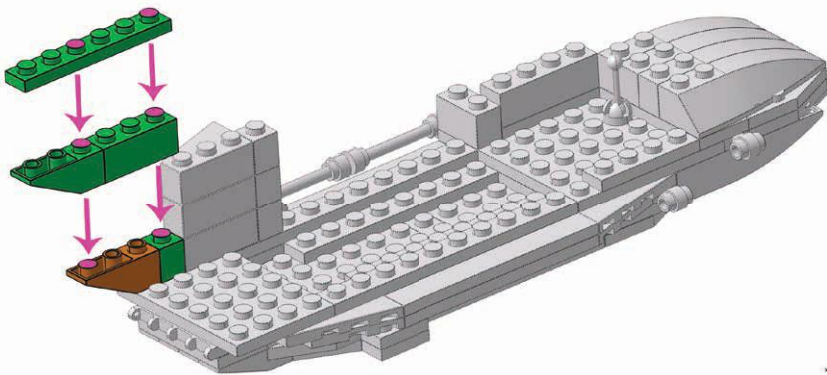
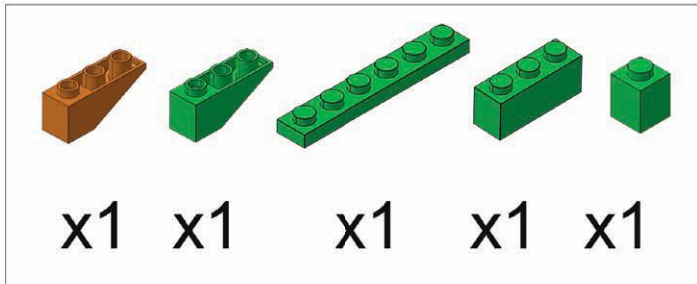
13



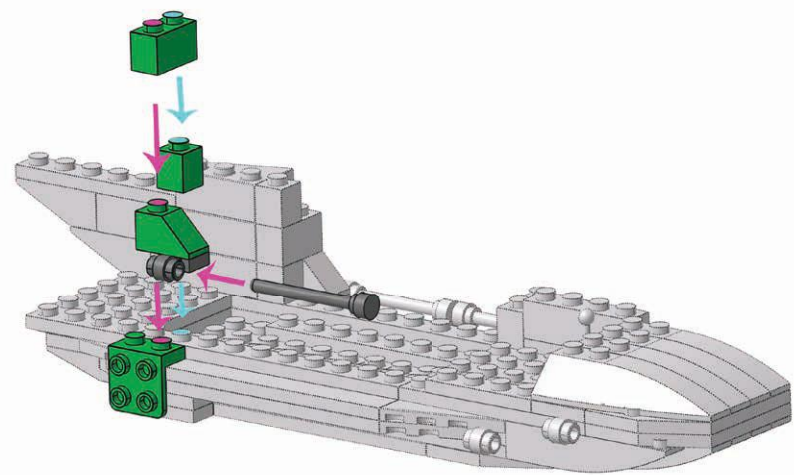
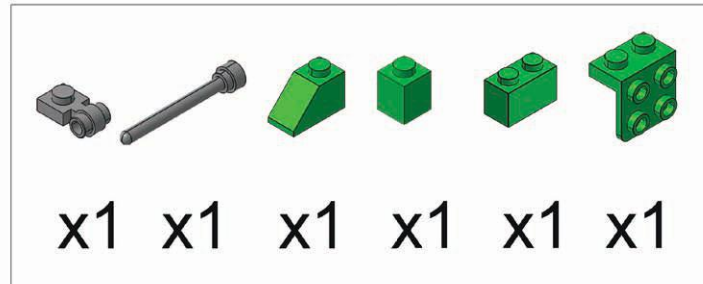
14



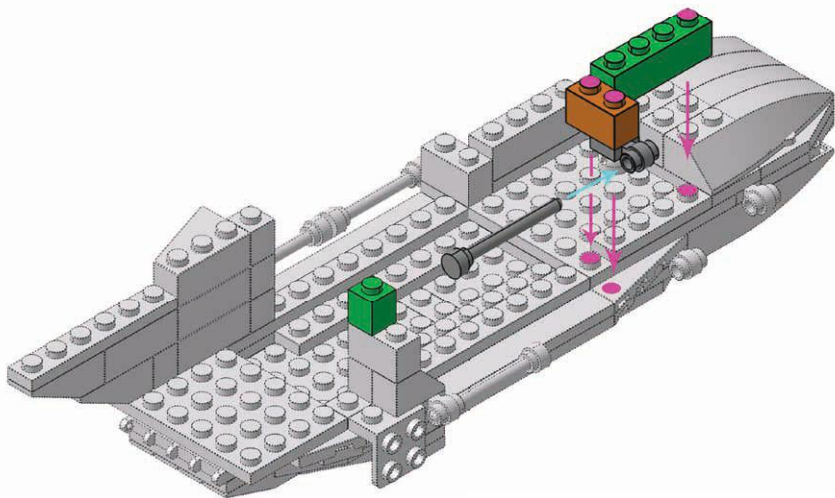
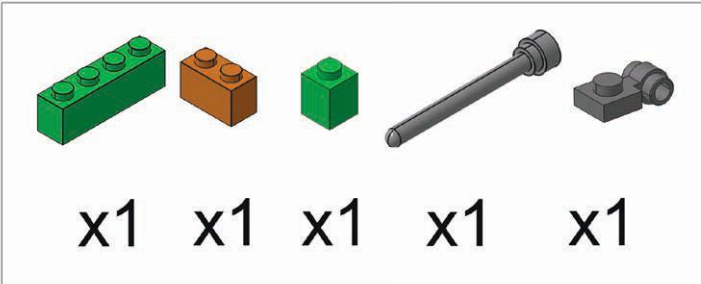
15



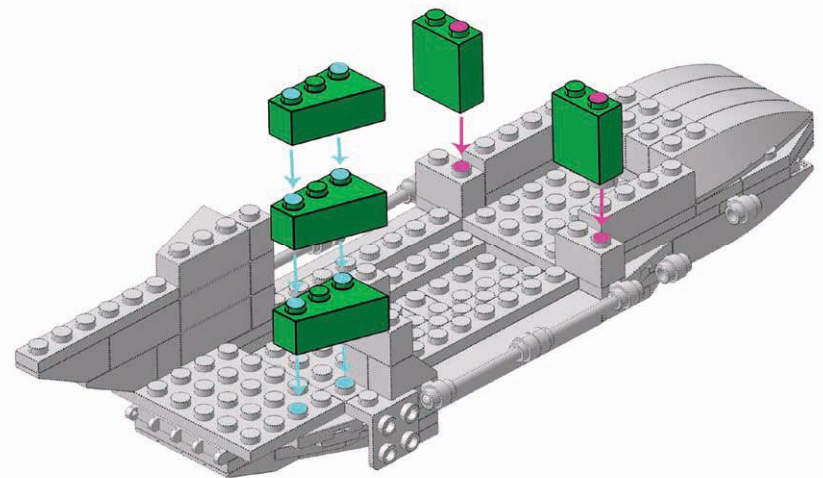
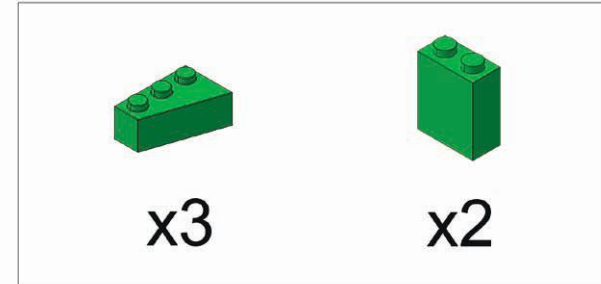
16



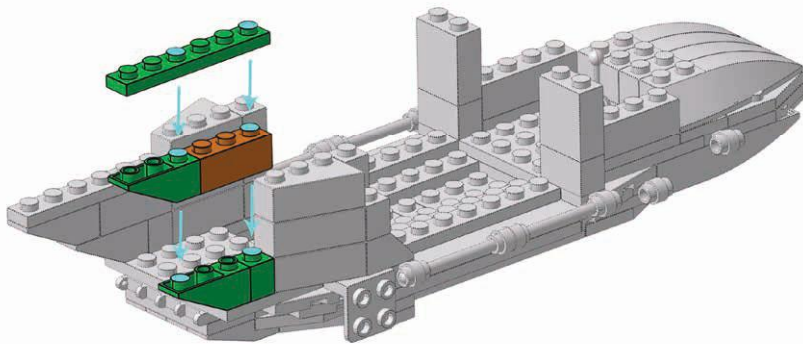
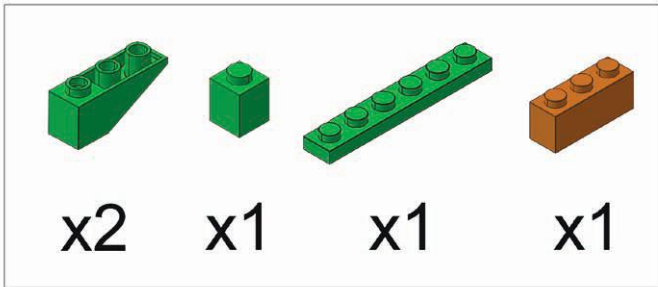
17



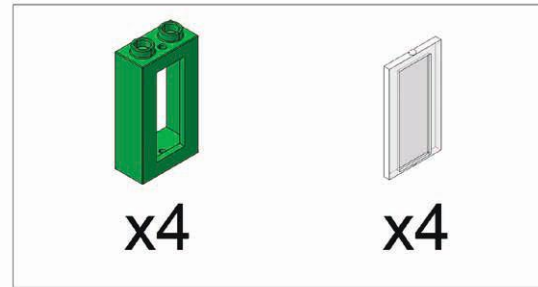
18



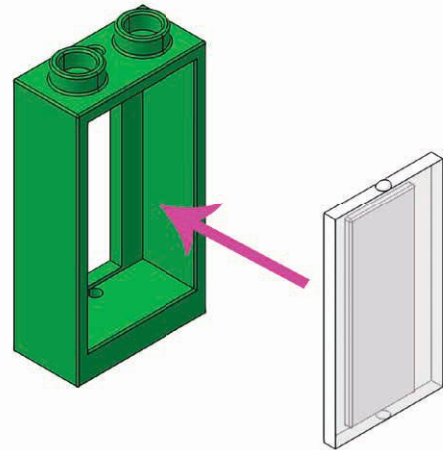
19



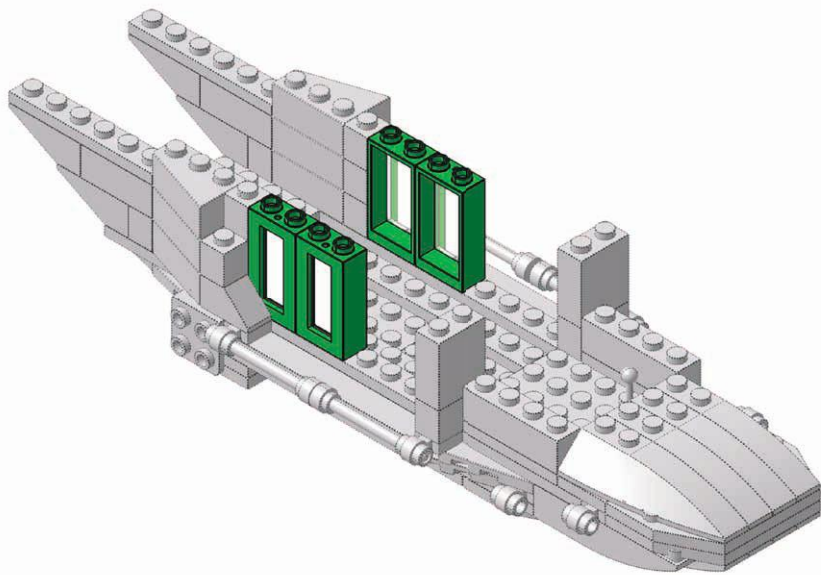
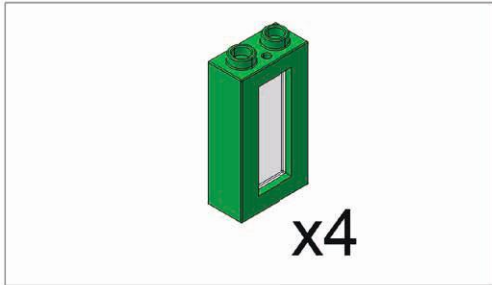
20



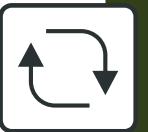
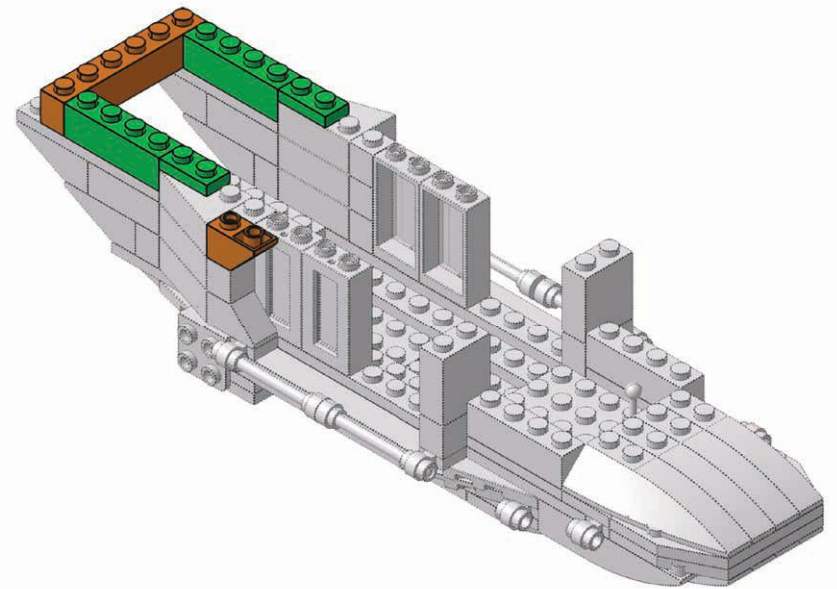
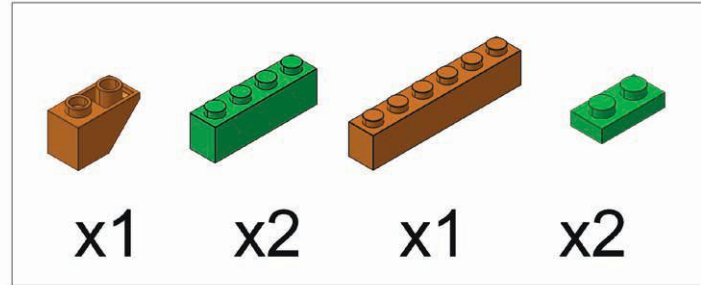
x4



21



22



23



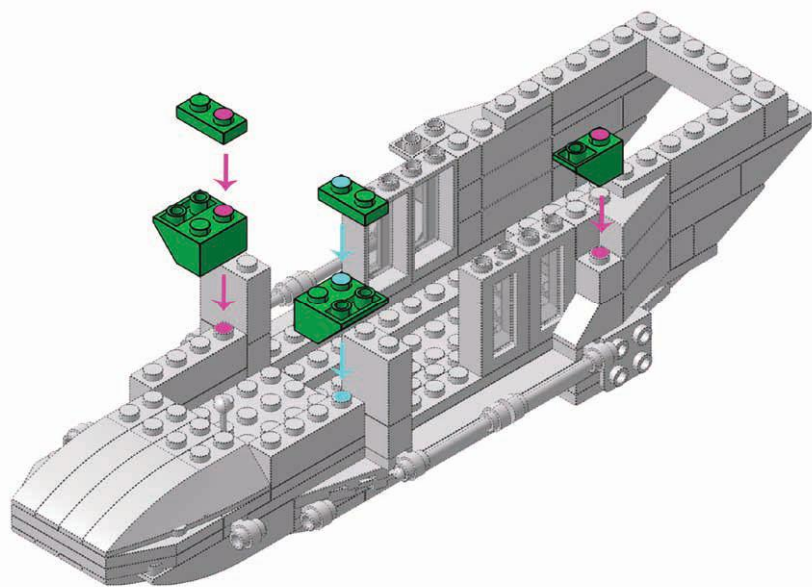
x2



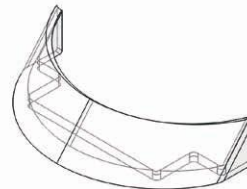
x2



x1



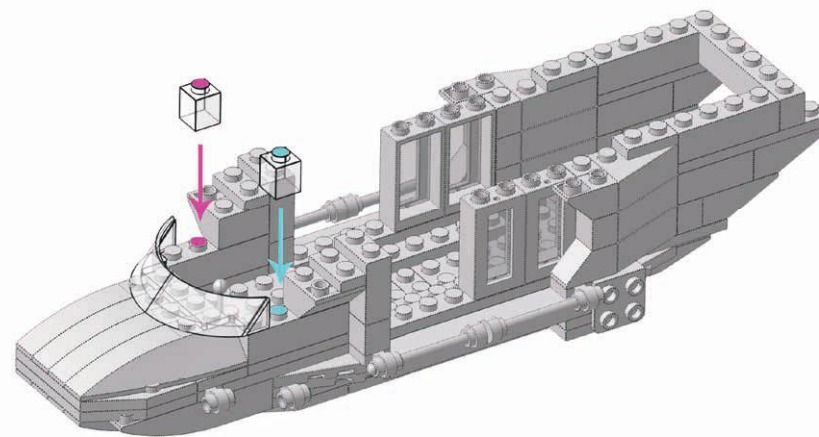
24

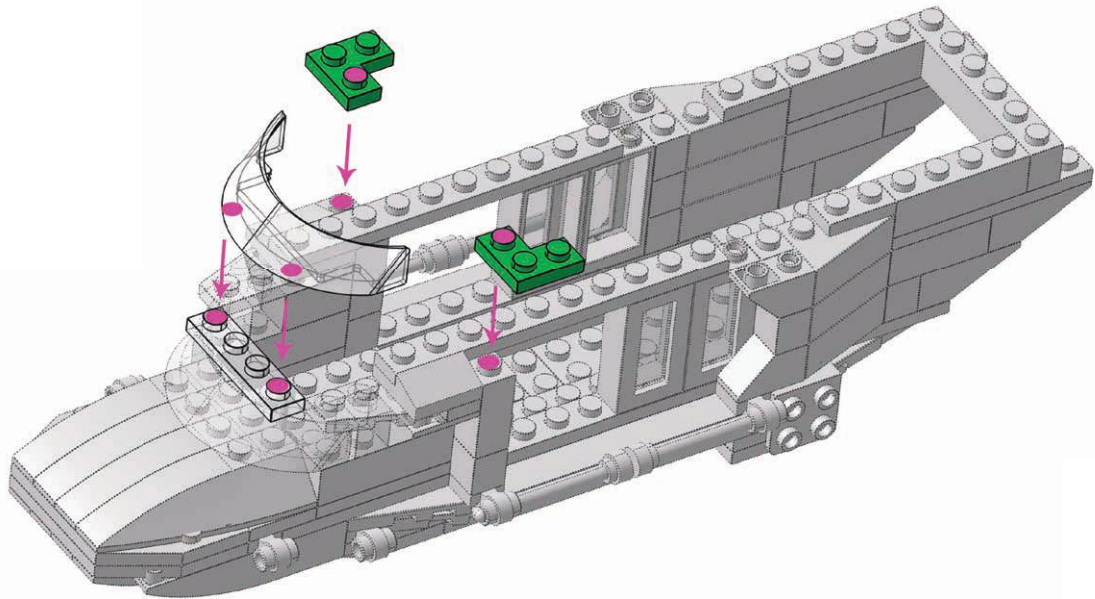
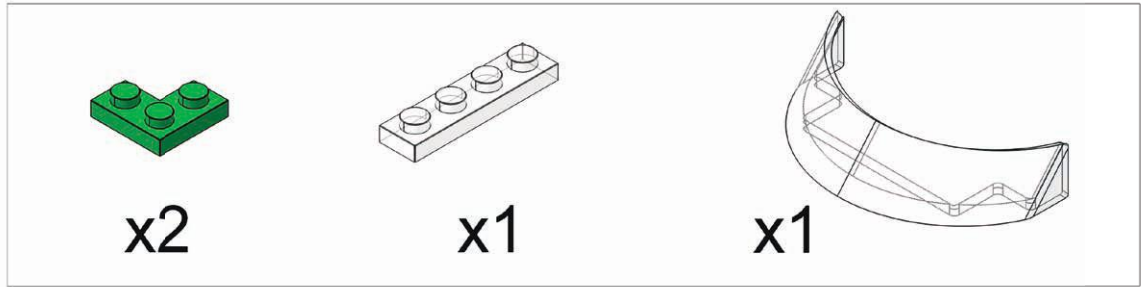


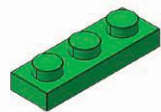
x1



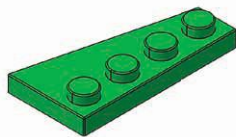
x2



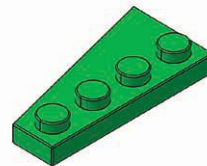




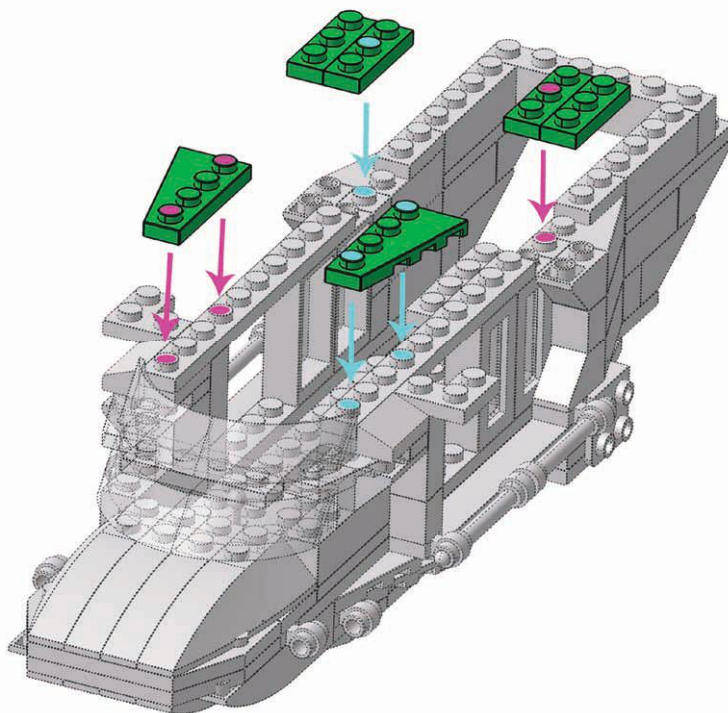
x4



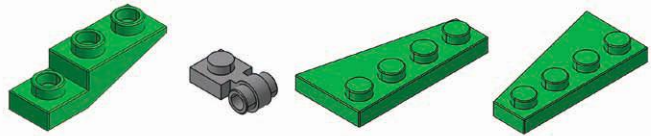
x1



x1



28

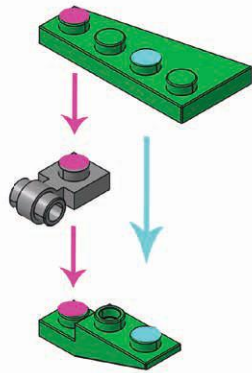
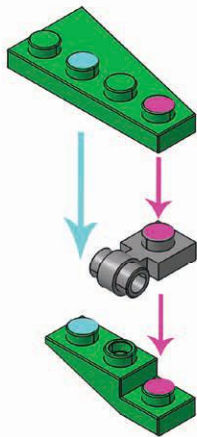


x2

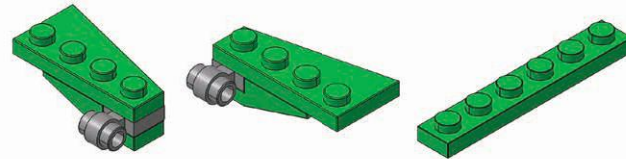
x2

x1

x1



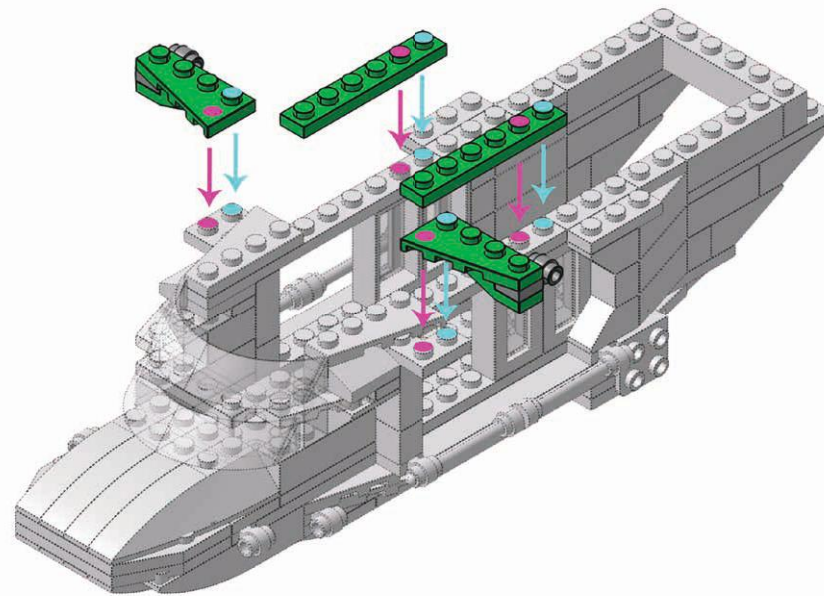
29



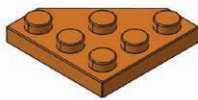
x1

x1

x2



30



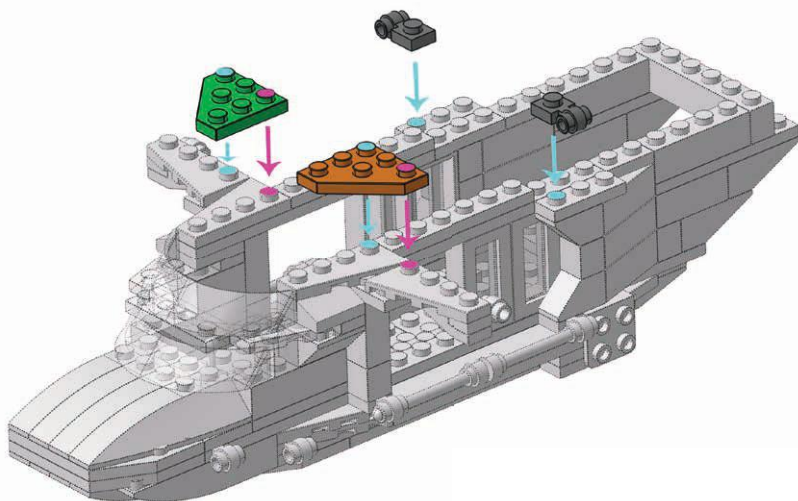
x1



x1



x2



31



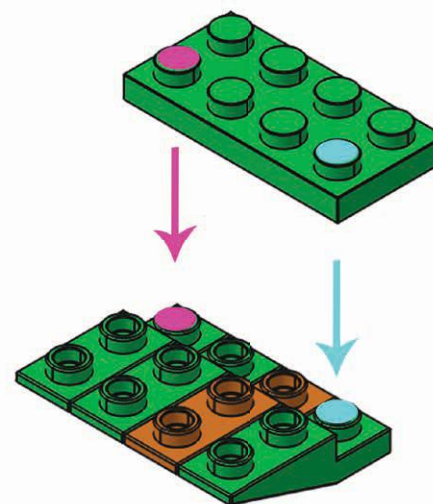
x1



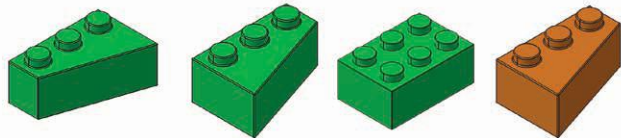
x3



x1



32

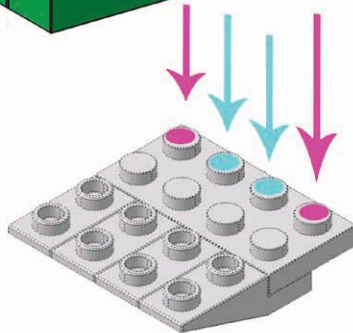
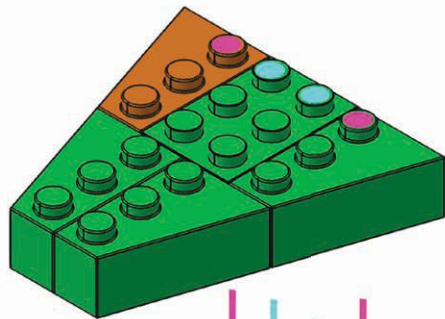


x2

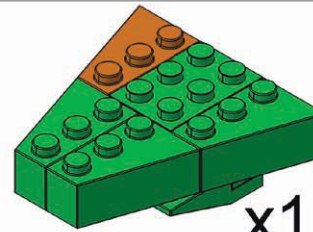
x1

x1

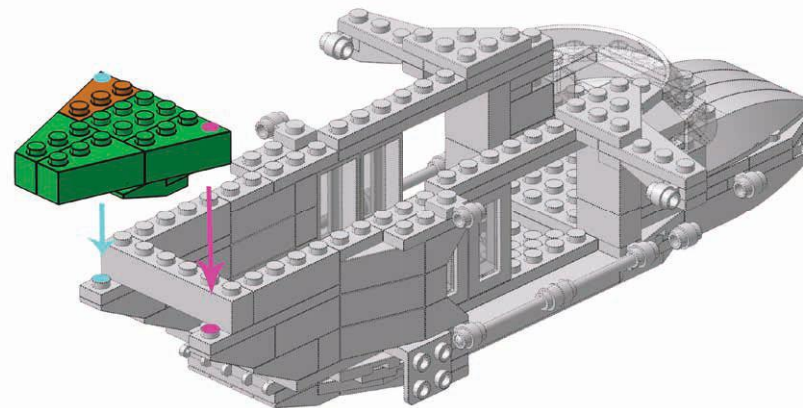
x1



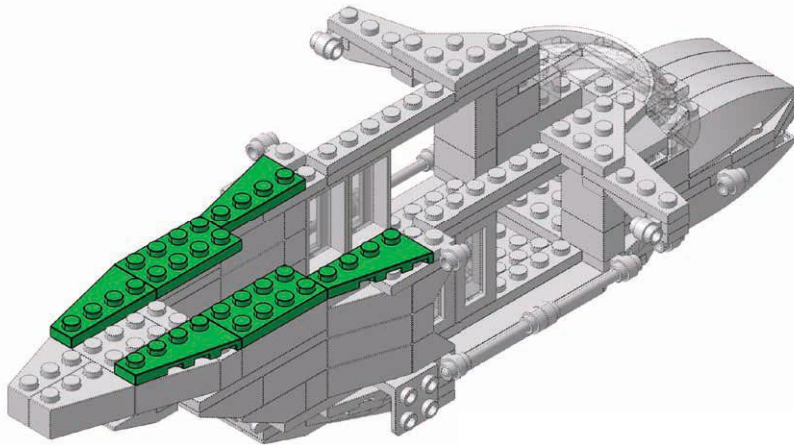
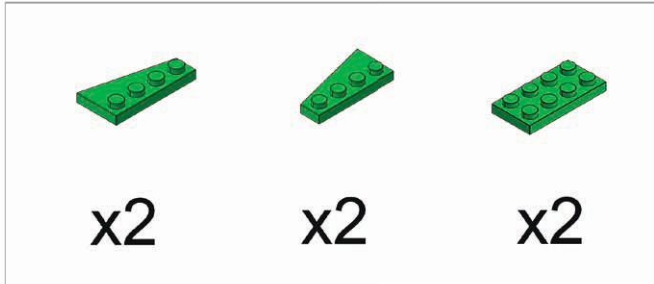
33



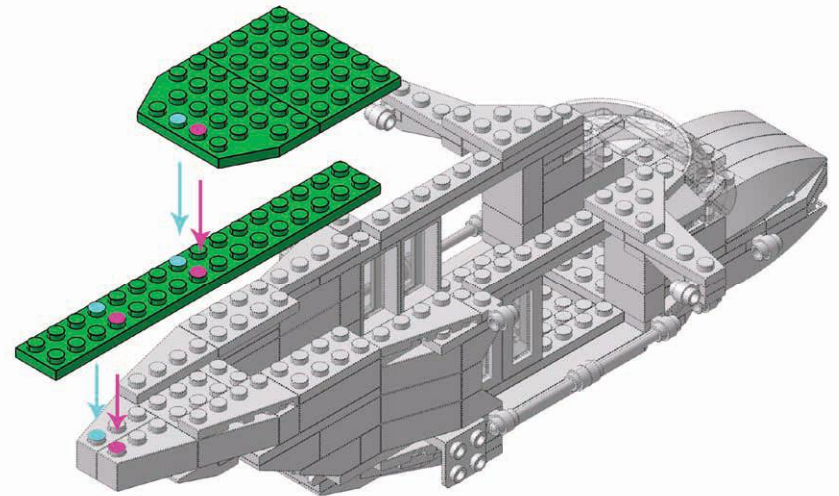
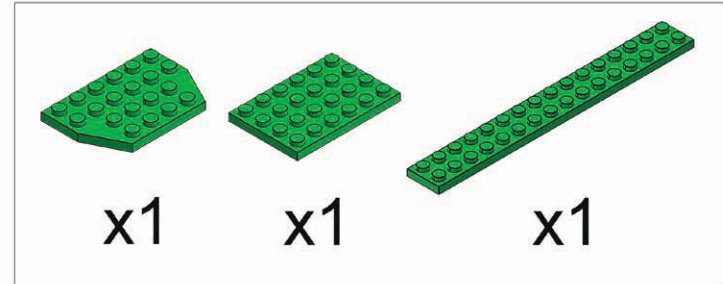
x1

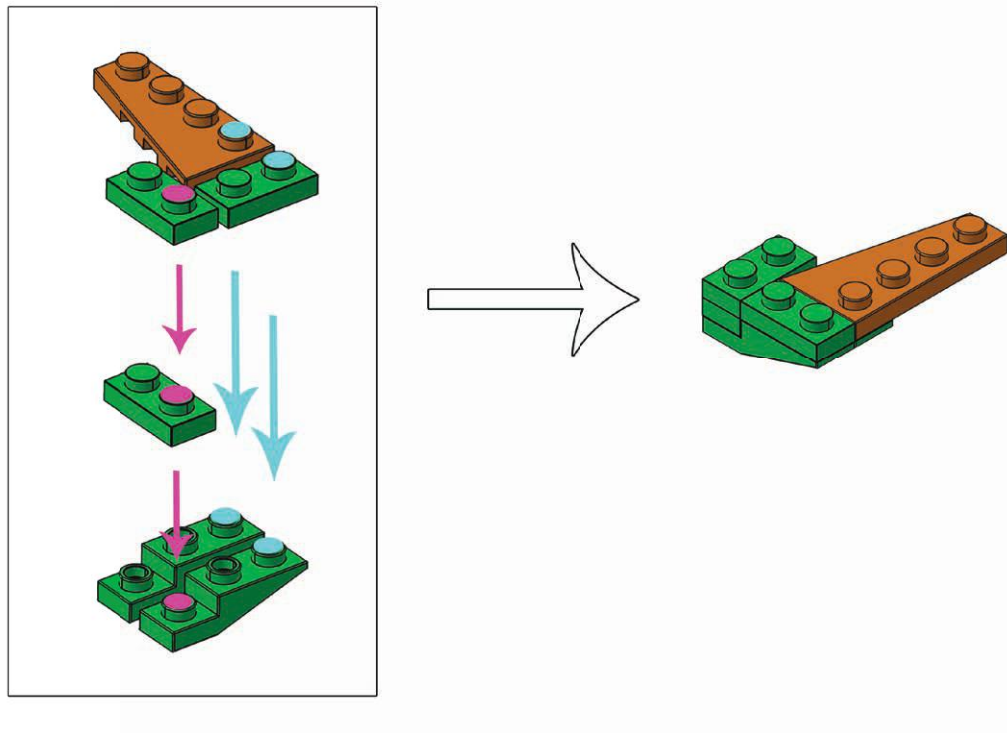
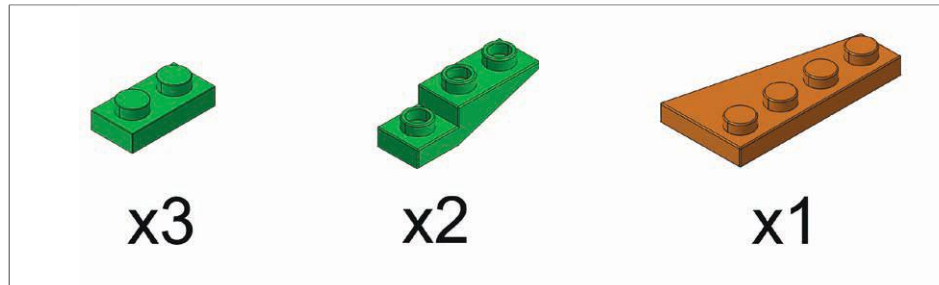


34

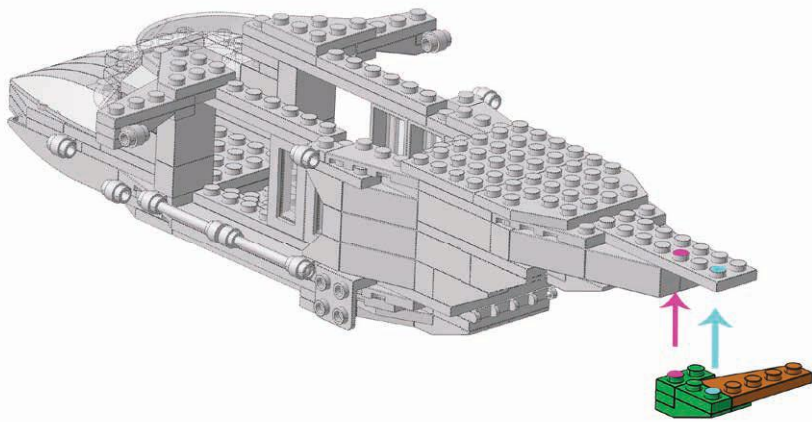
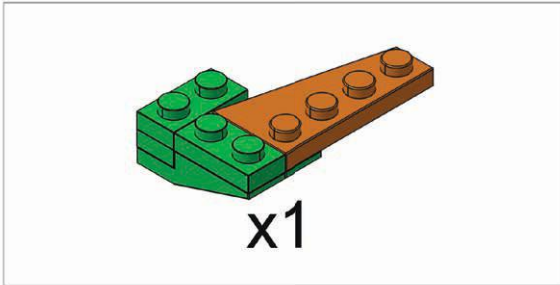


35

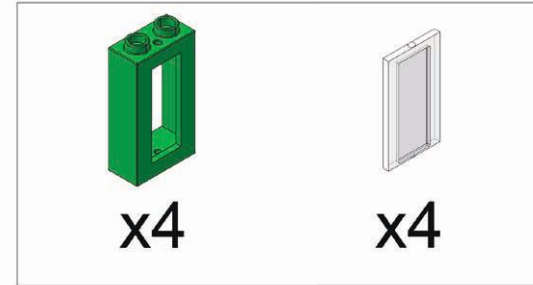




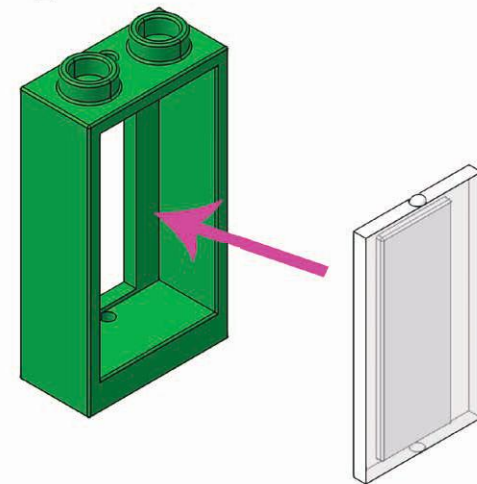
37



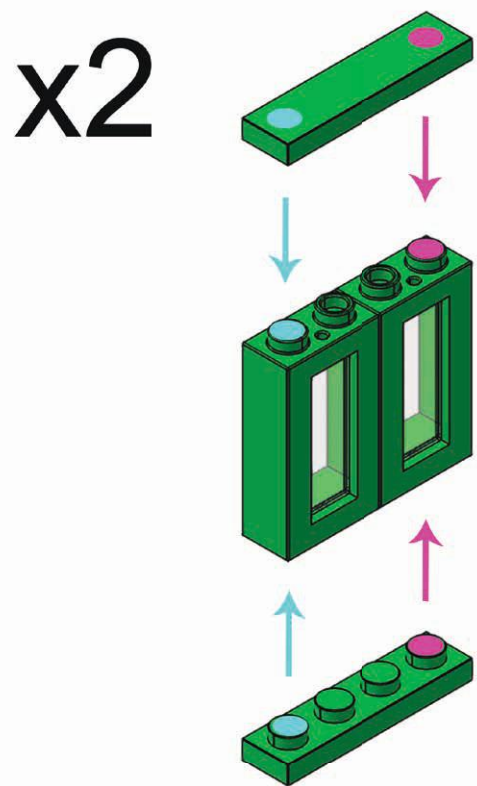
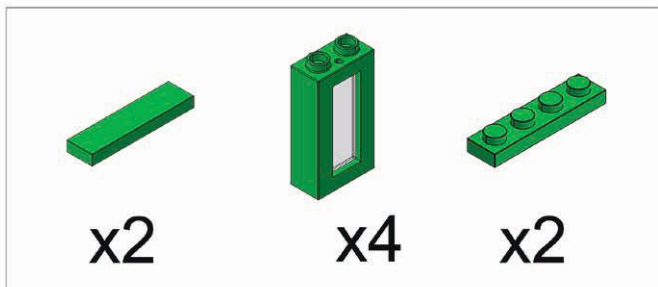
38



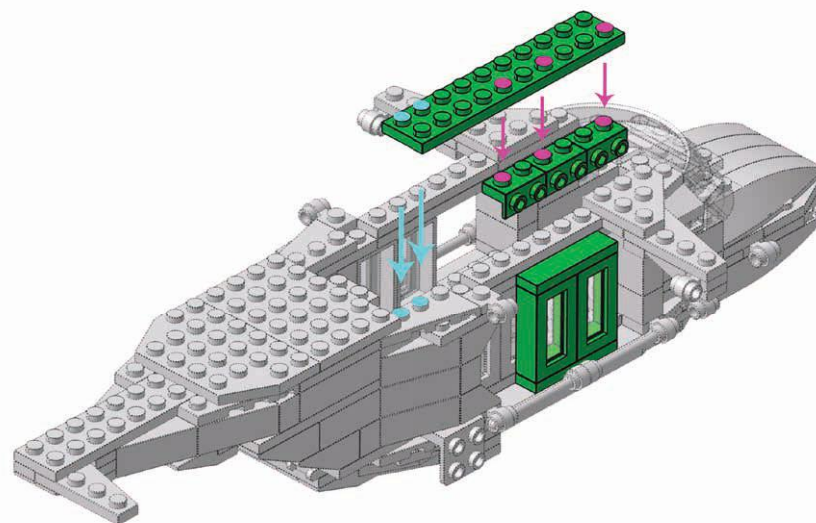
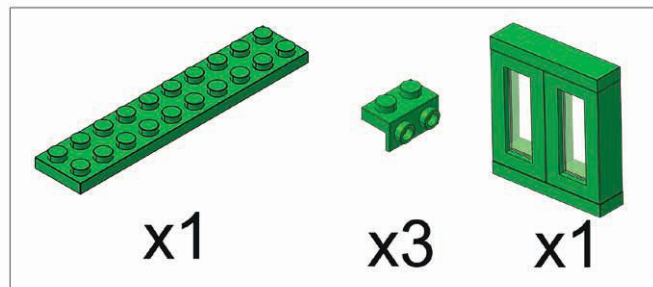
x4



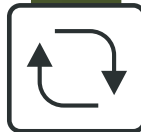
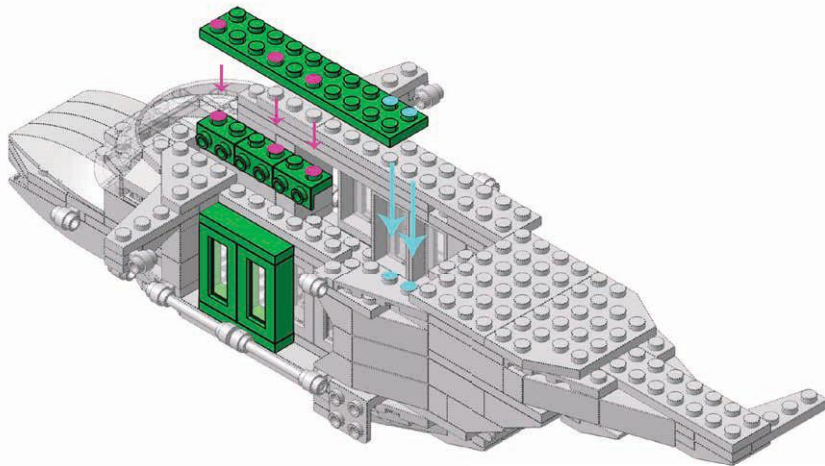
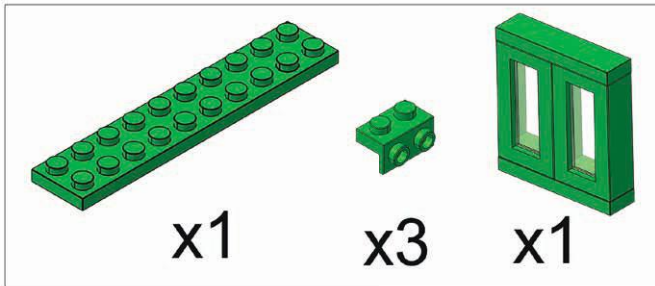
39



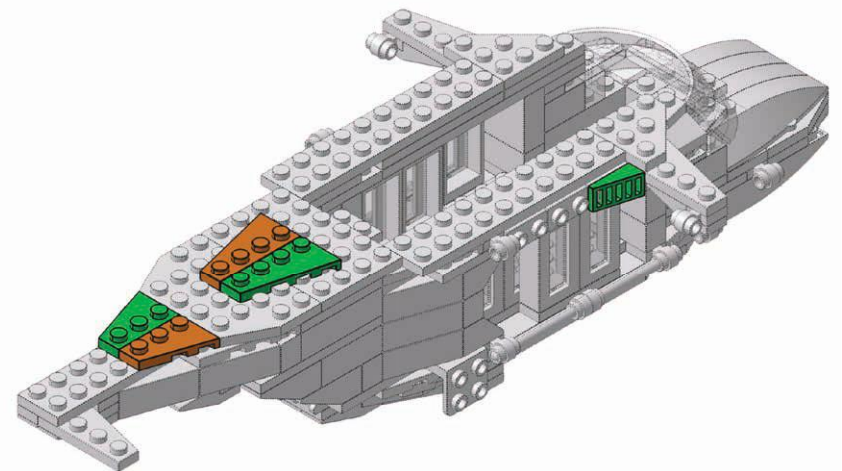
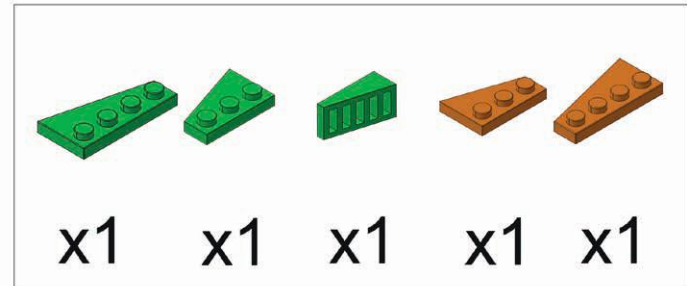
40



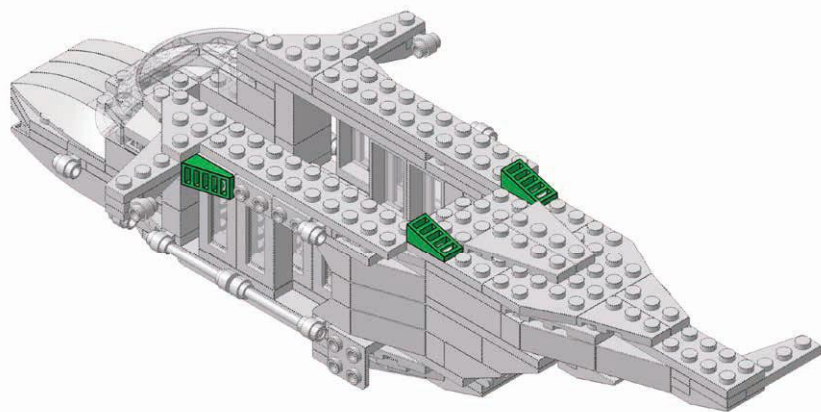
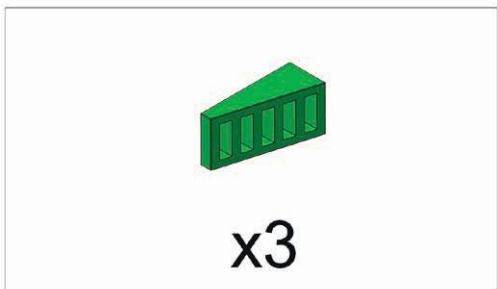
41



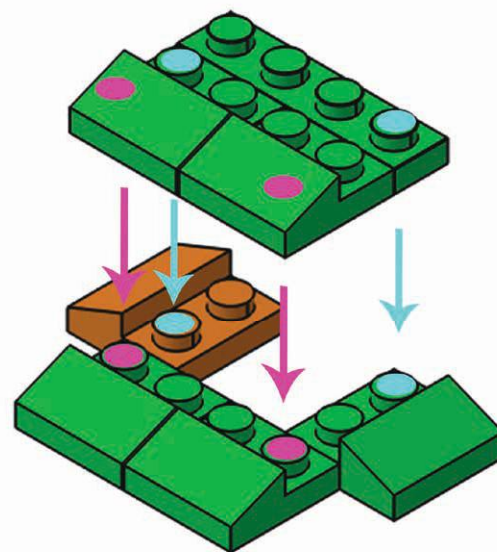
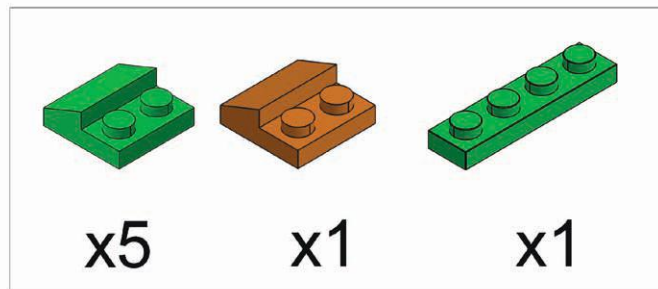
42



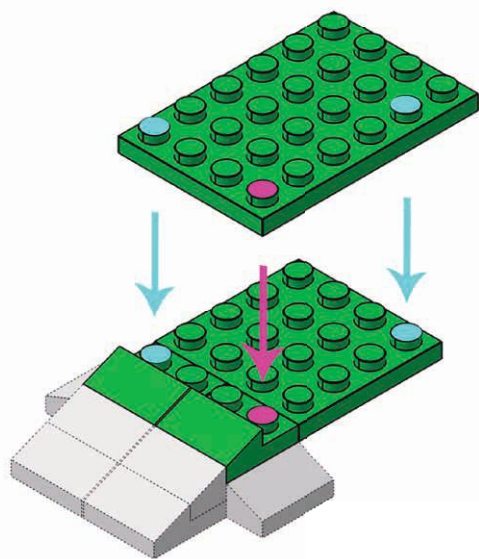
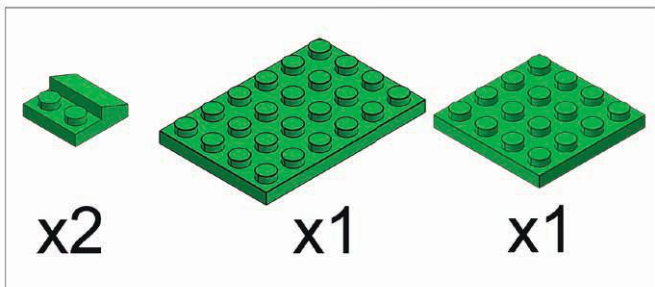
43



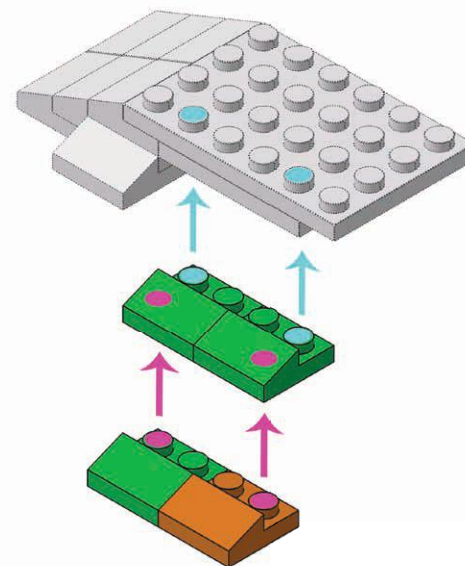
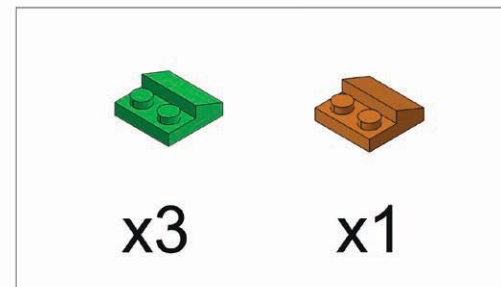
44



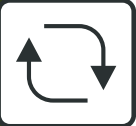
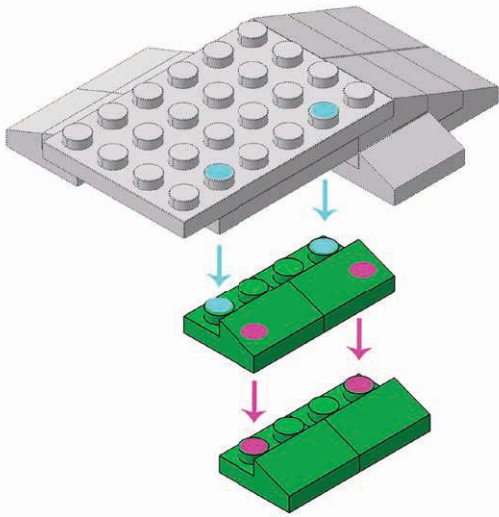
45



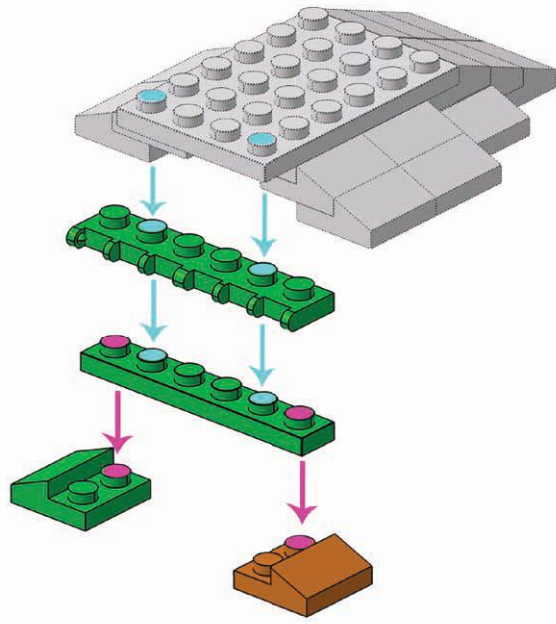
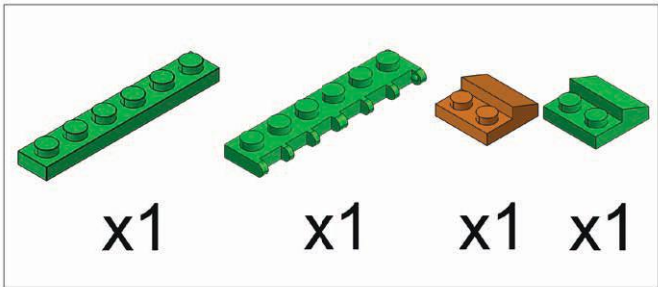
46



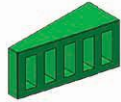
47



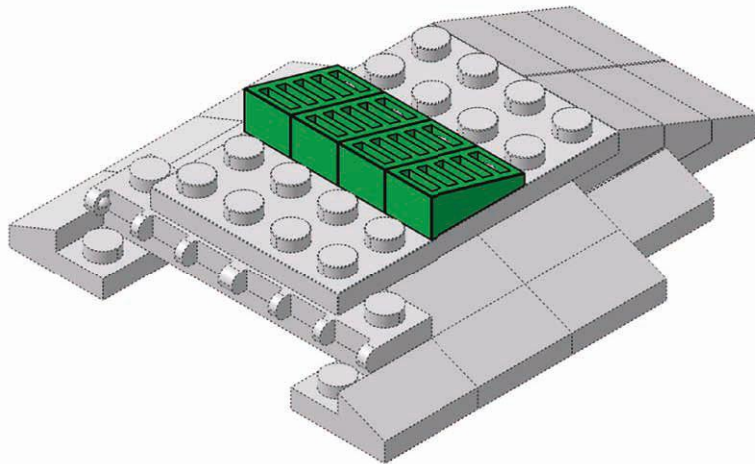
48



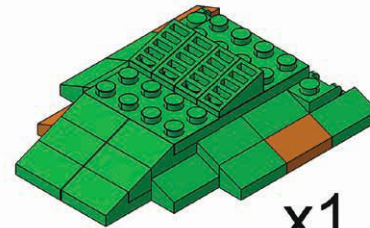
49



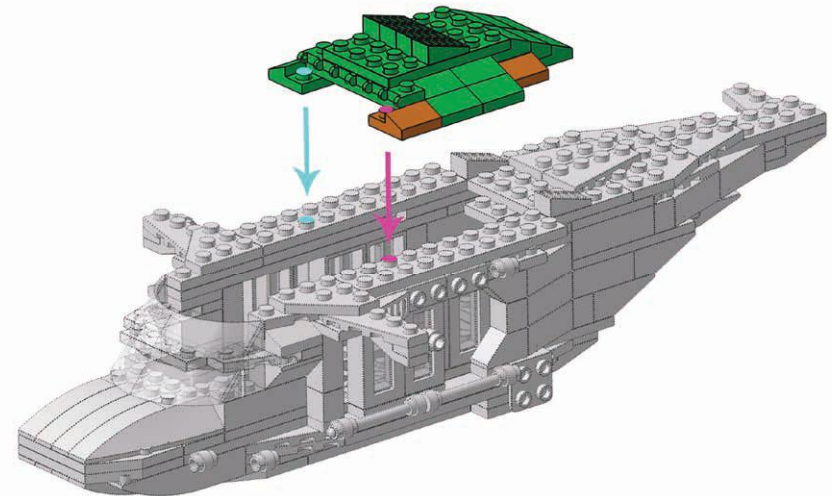
x4



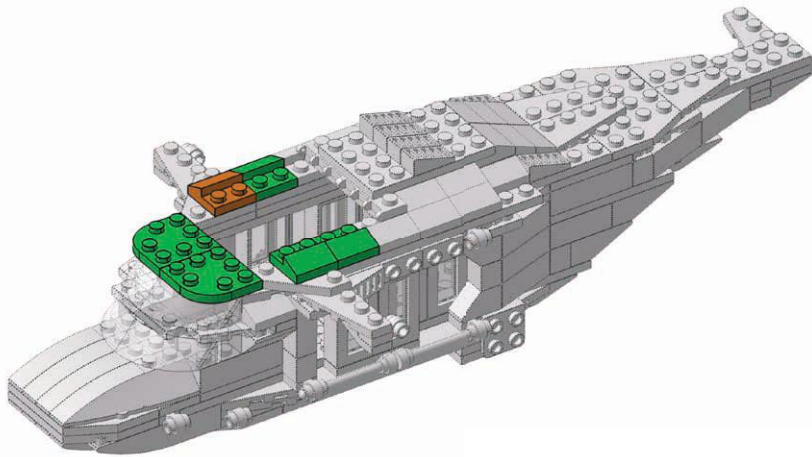
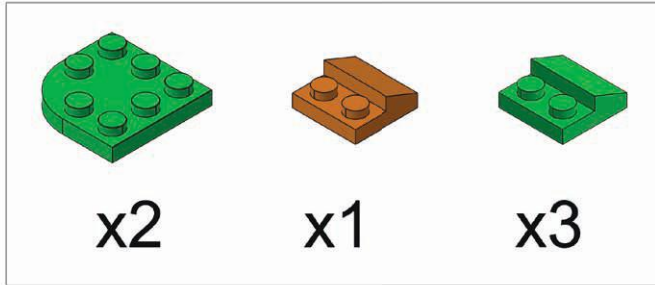
50



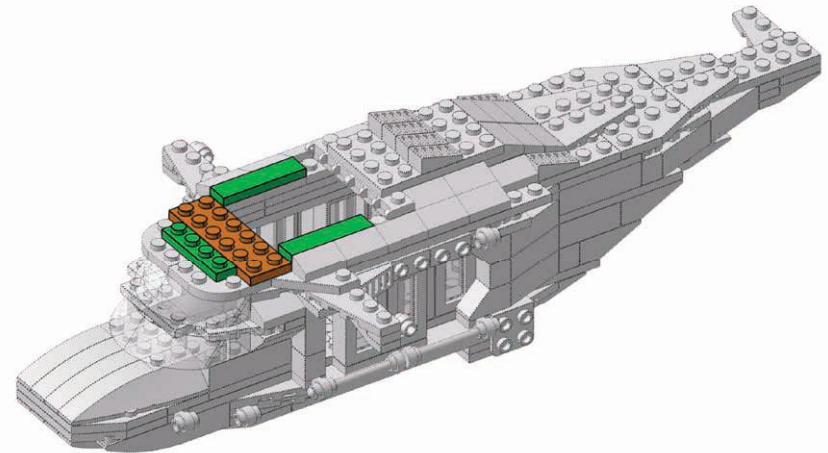
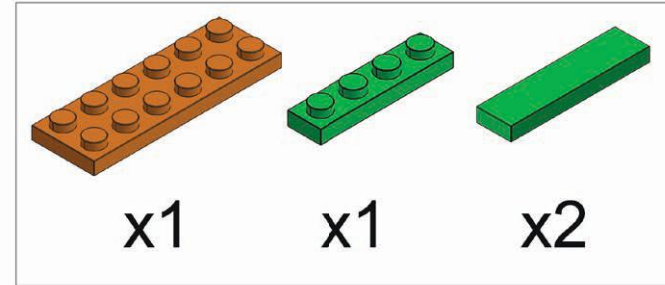
x1



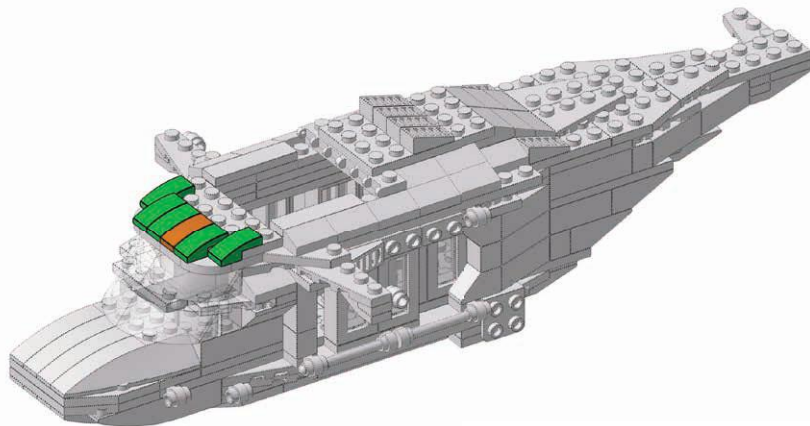
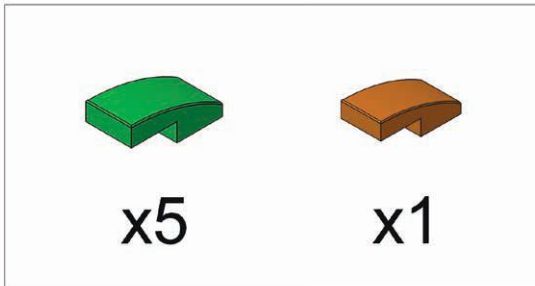
51



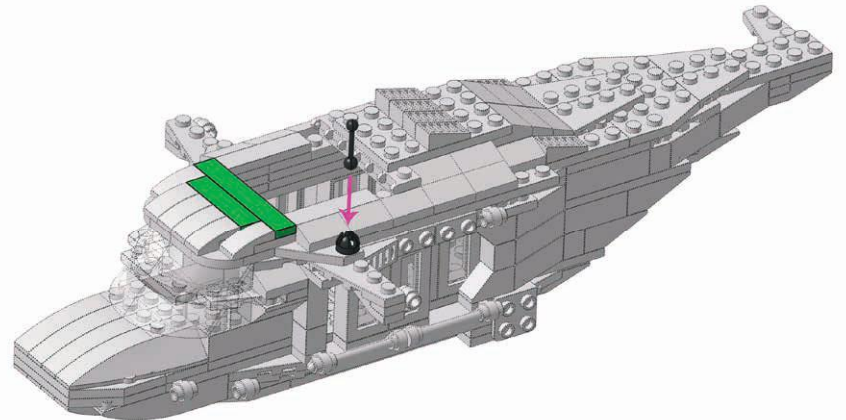
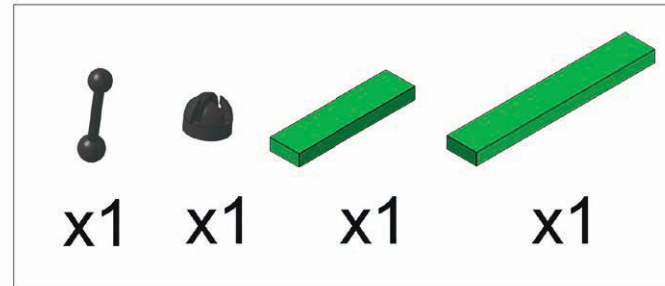
52



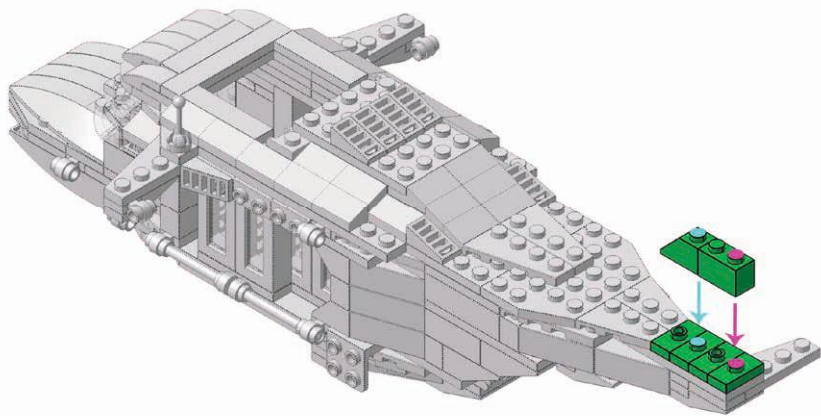
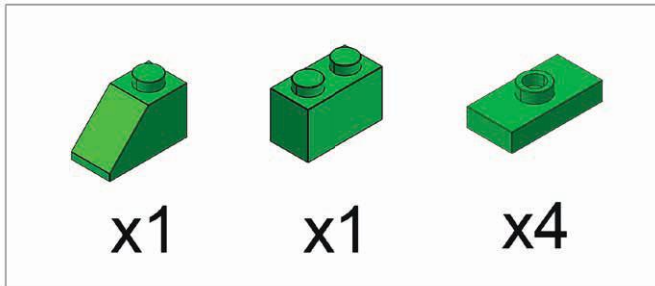
53



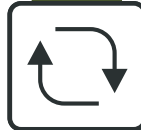
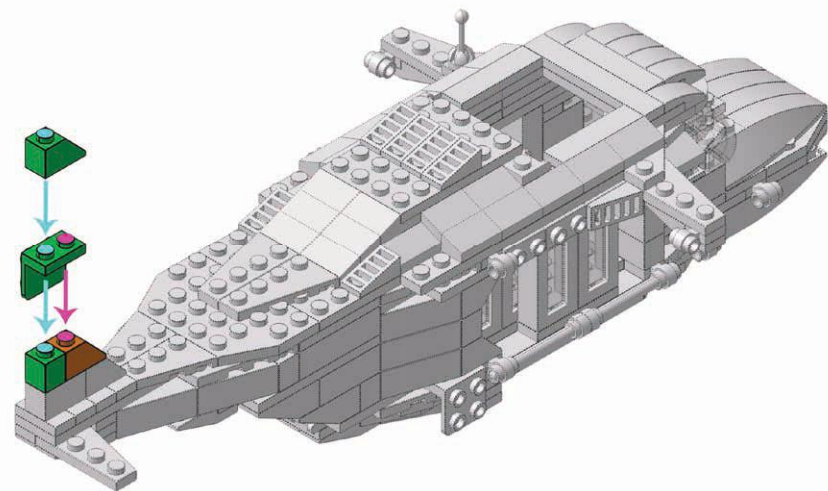
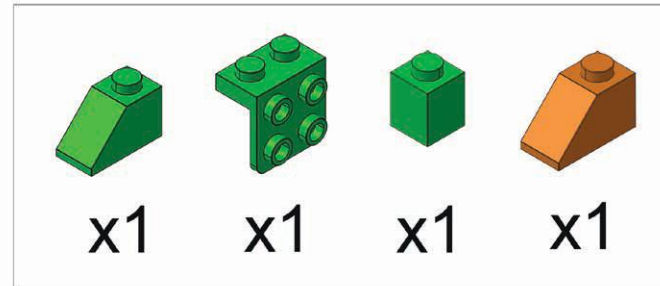
54



55



56



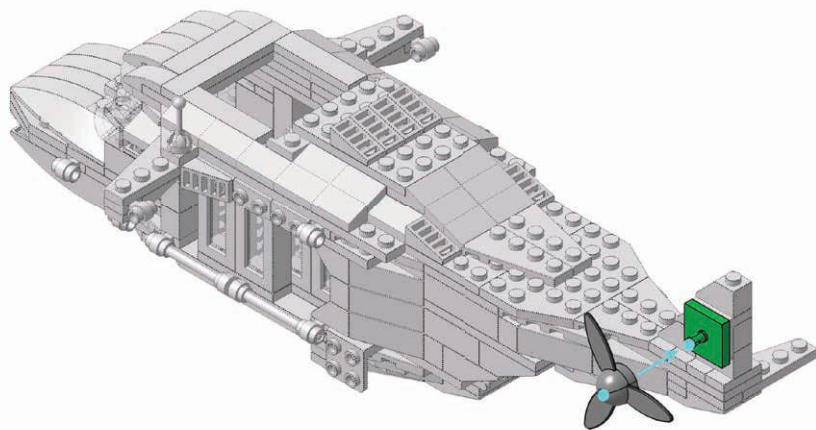
57



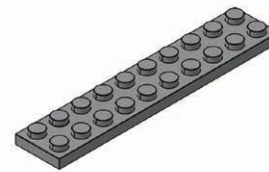
x1



x1



58



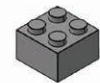
x1



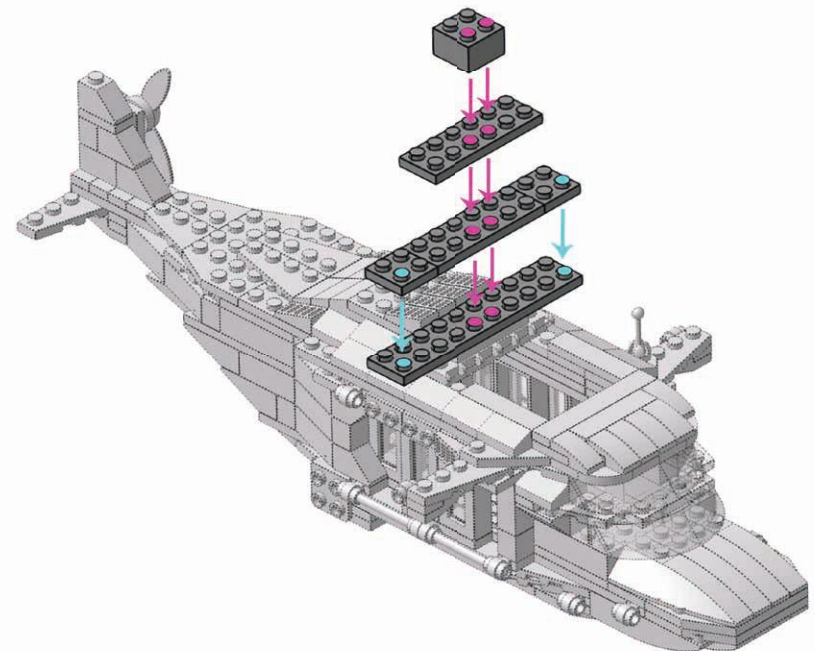
x2



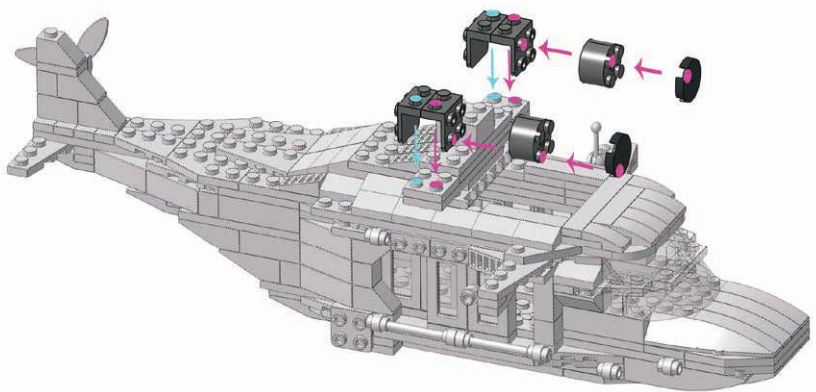
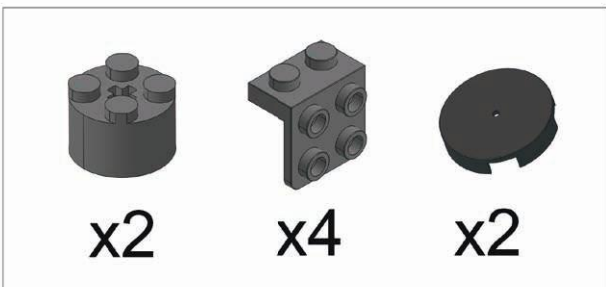
x2



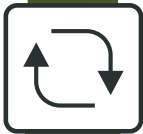
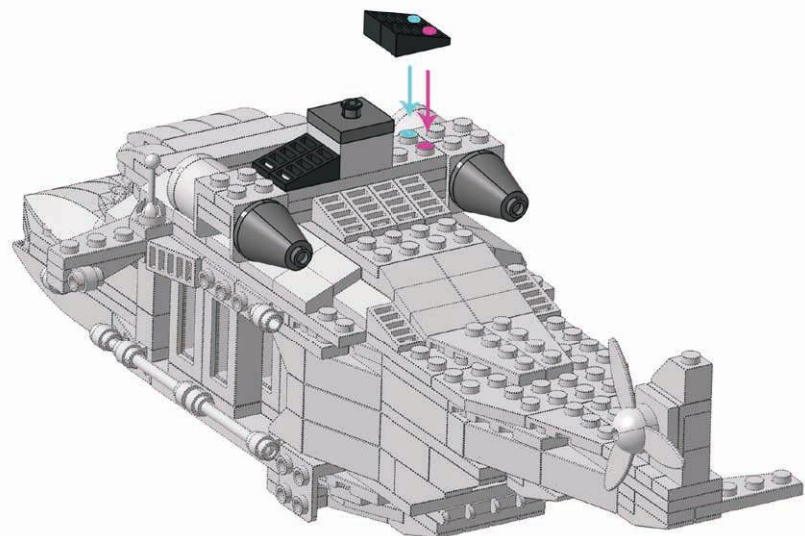
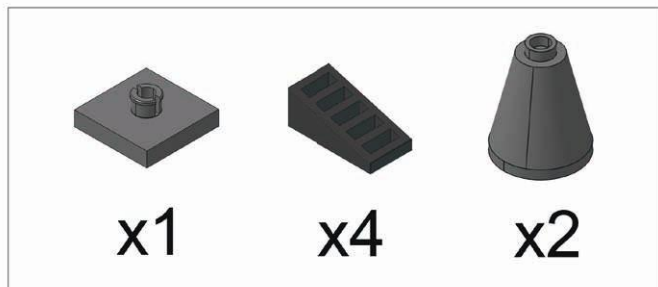
x1

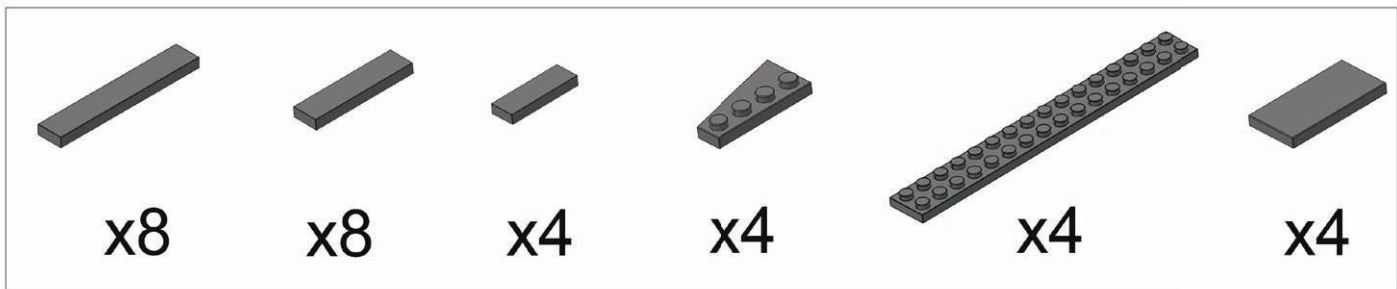


59

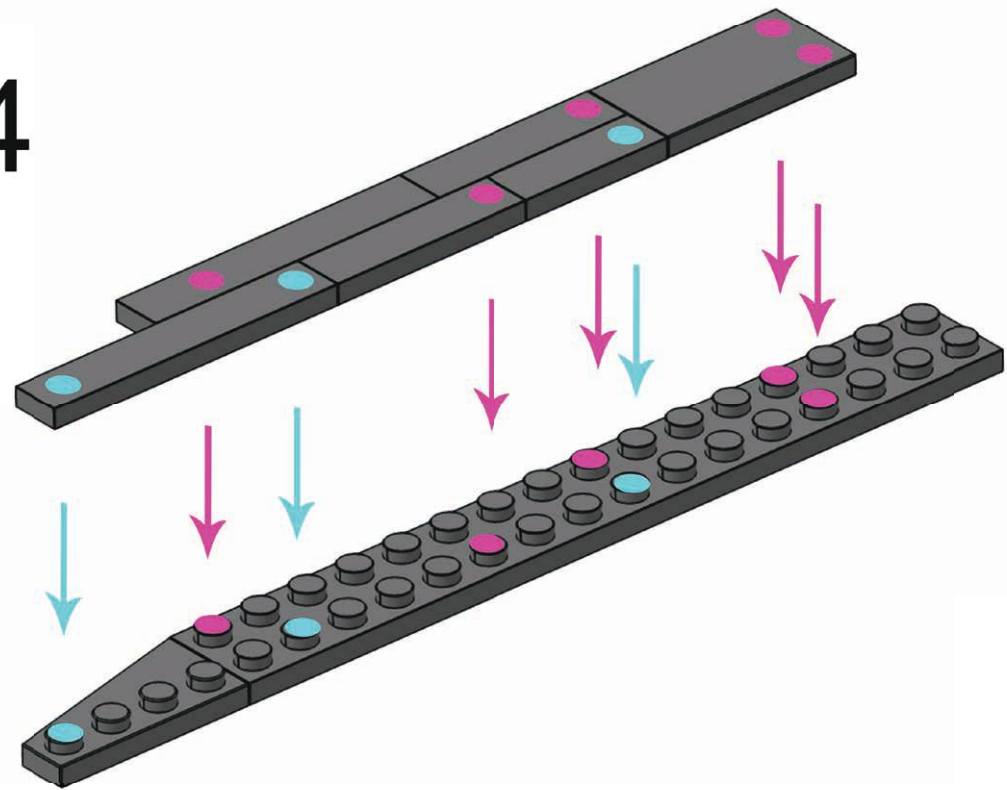


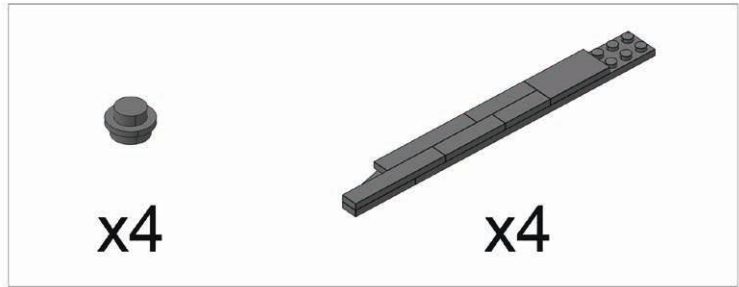
60



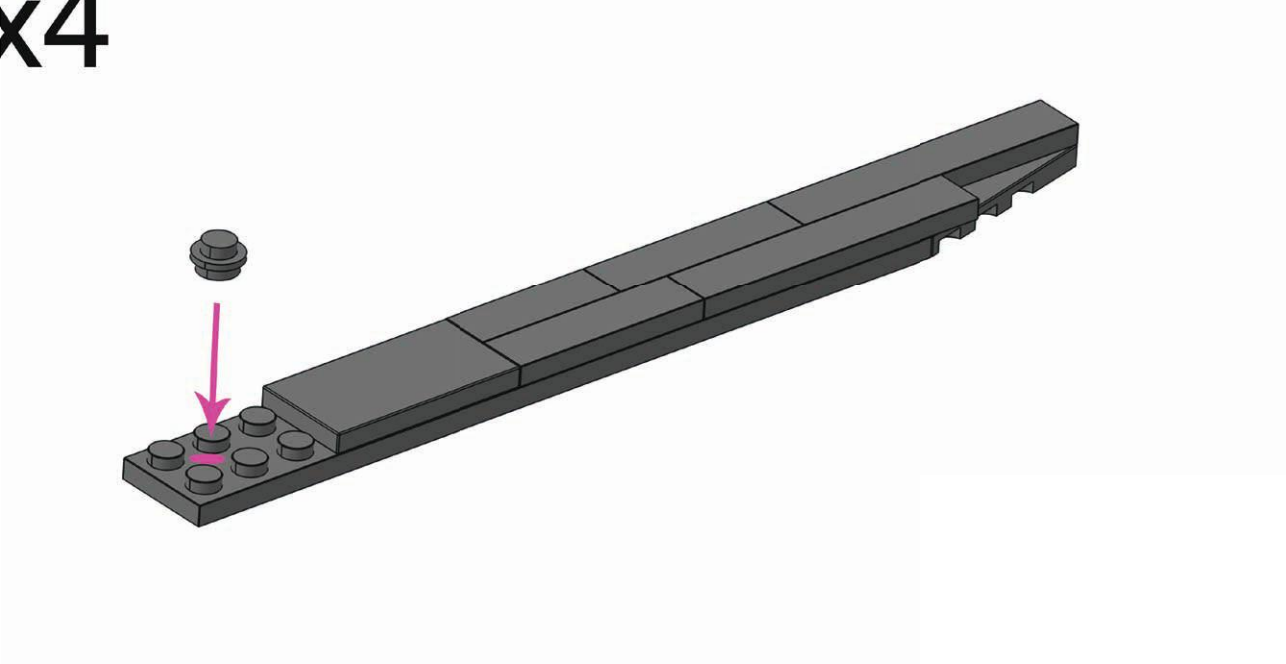


x4

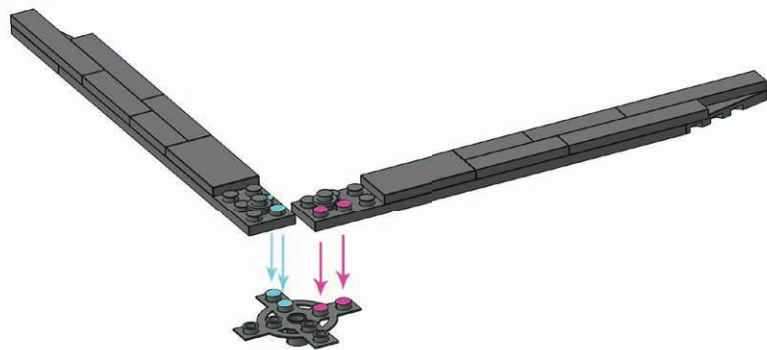
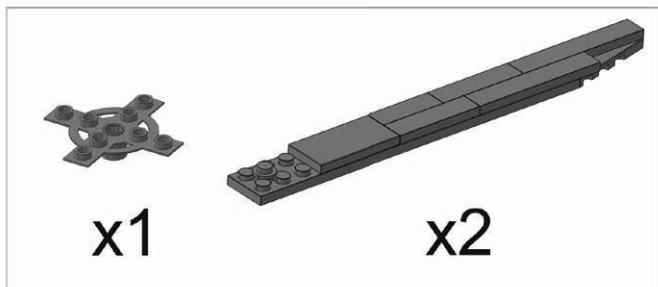




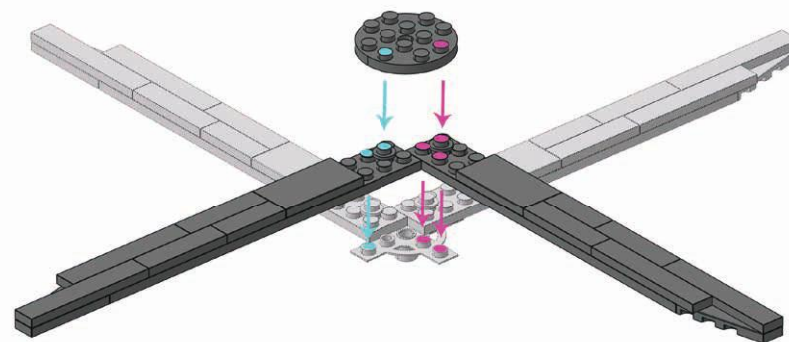
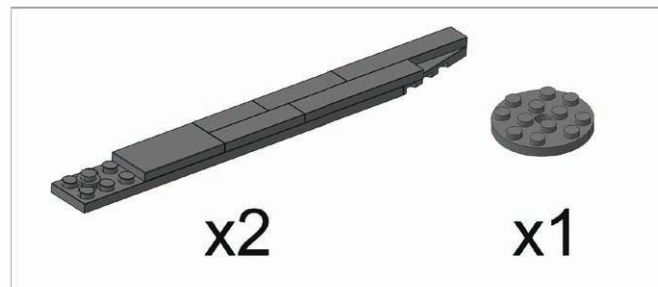
x4



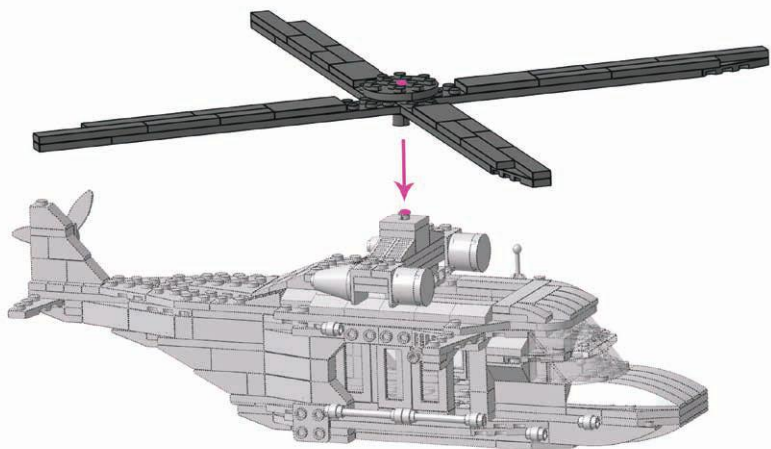
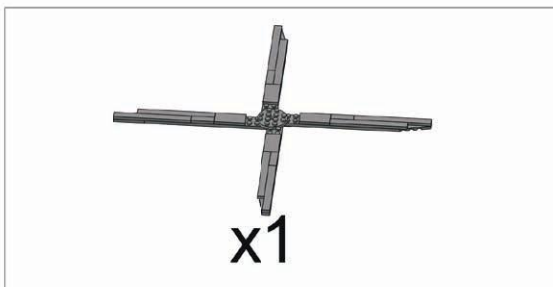
63



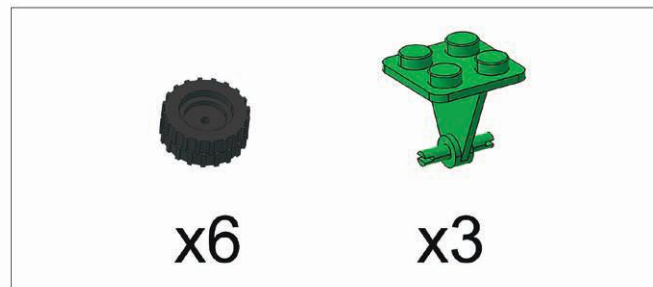
64



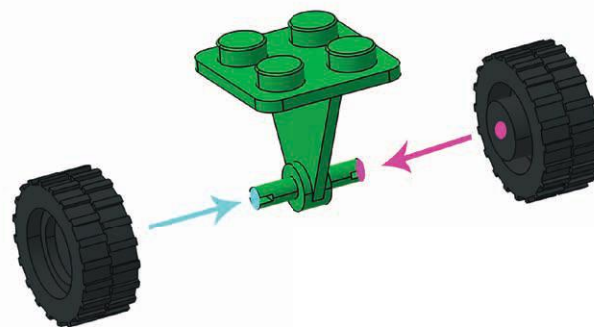
65



66



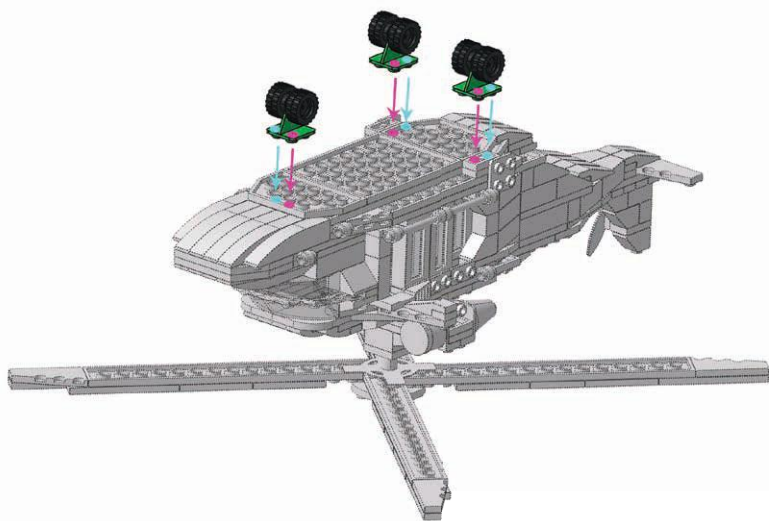
x3



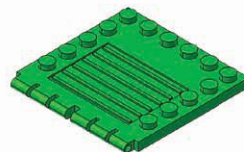
67



x3



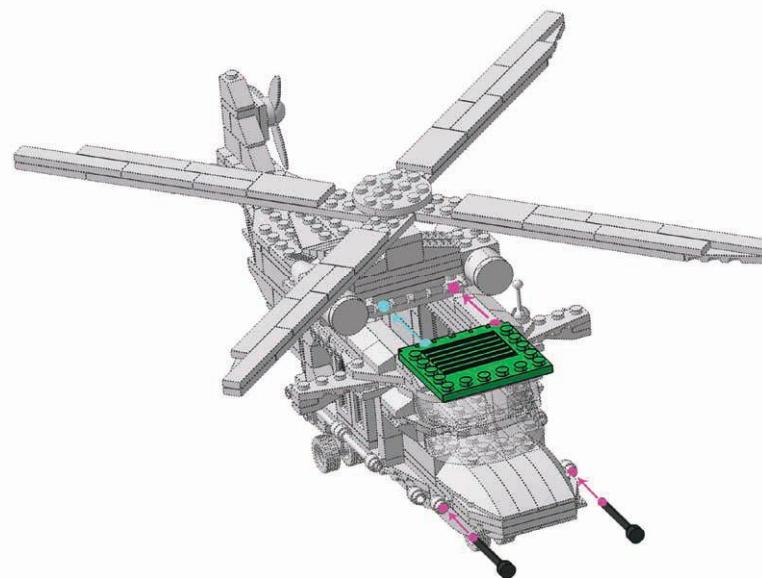
68

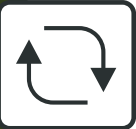
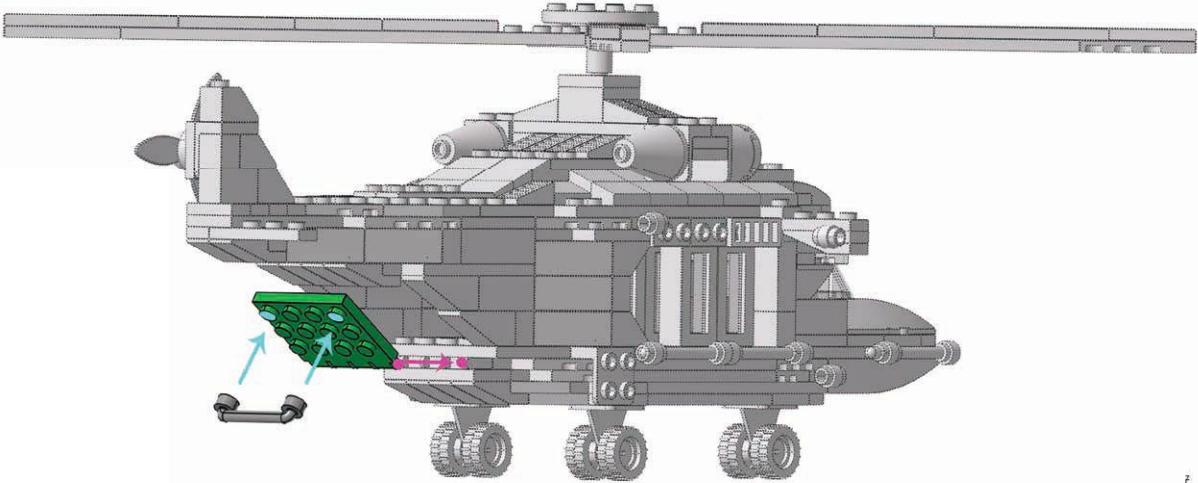
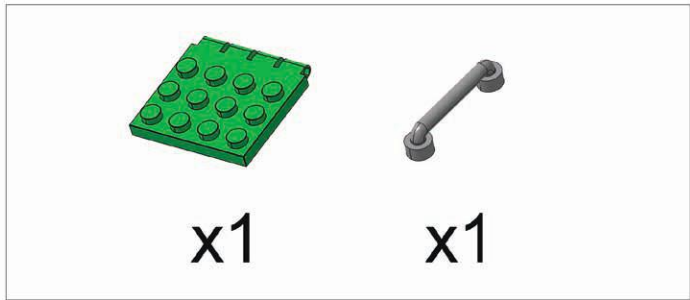


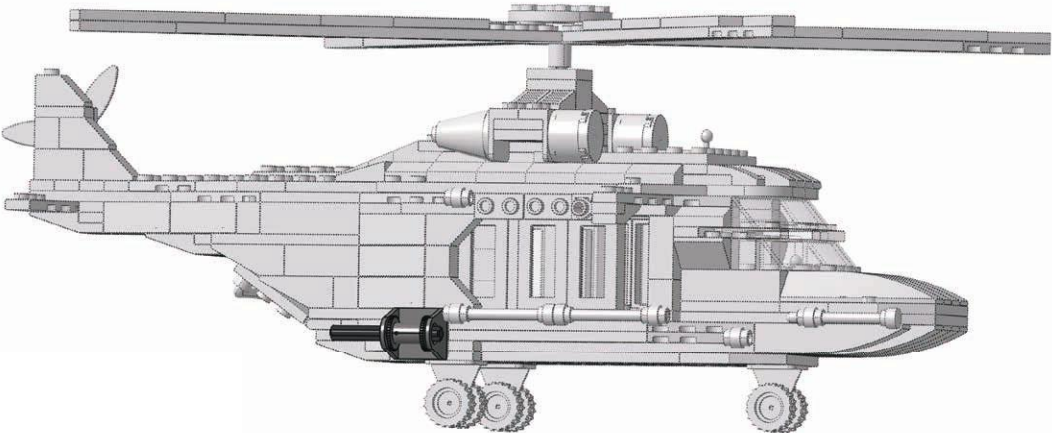
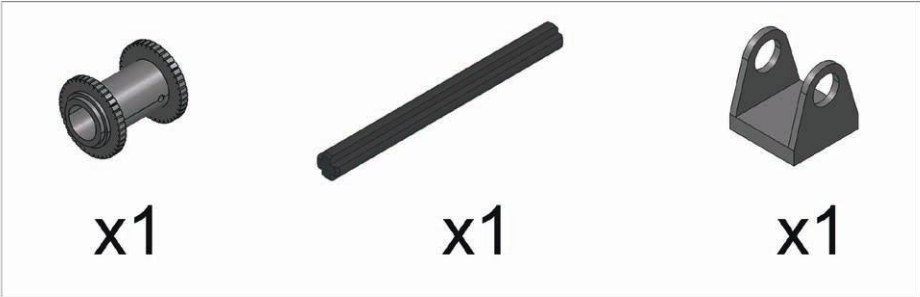
x1



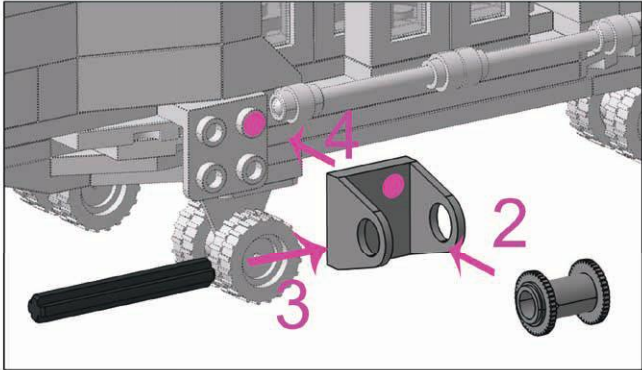
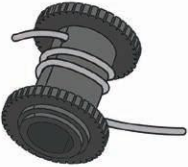
x2

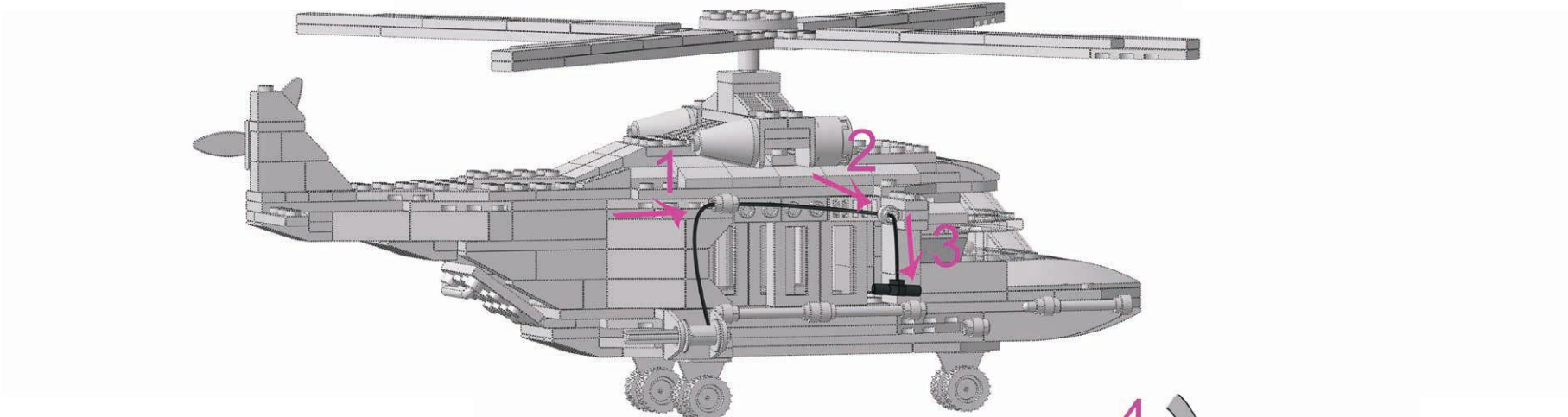




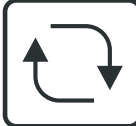


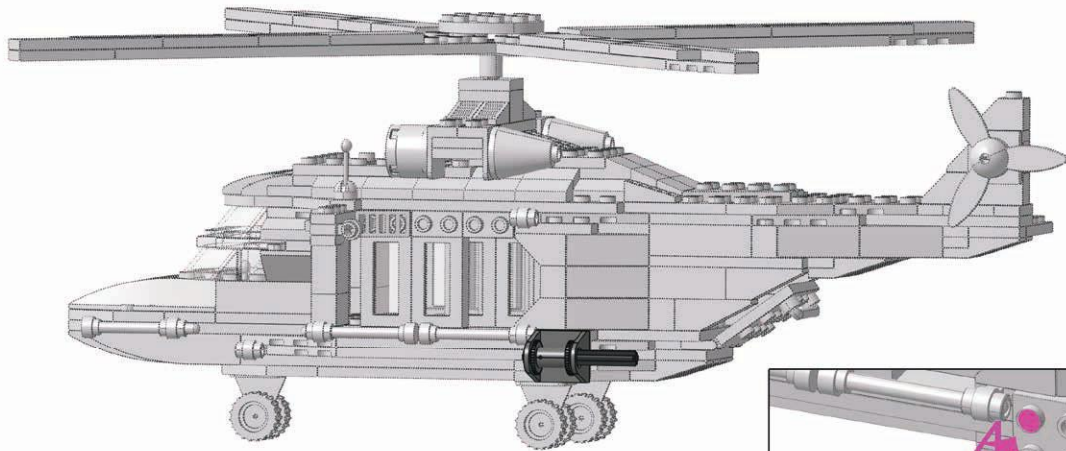
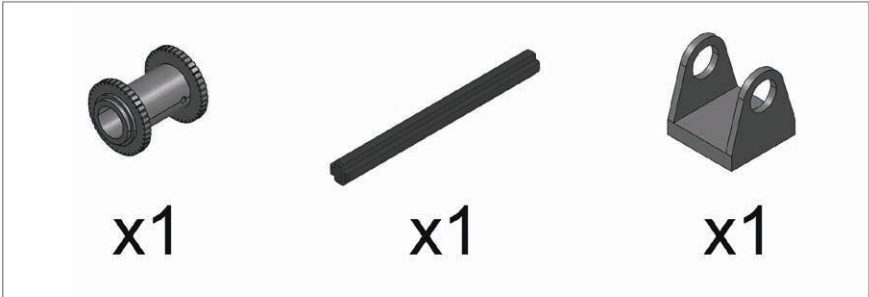
1 thread a string before assembling



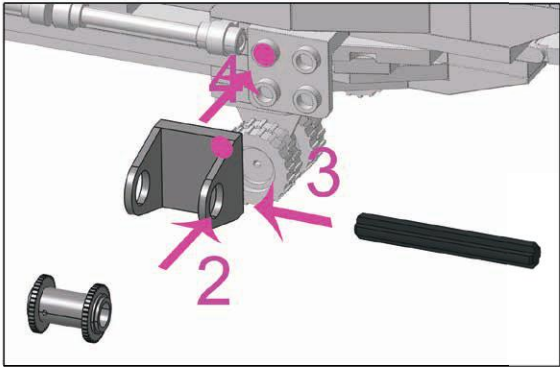
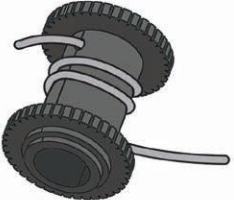


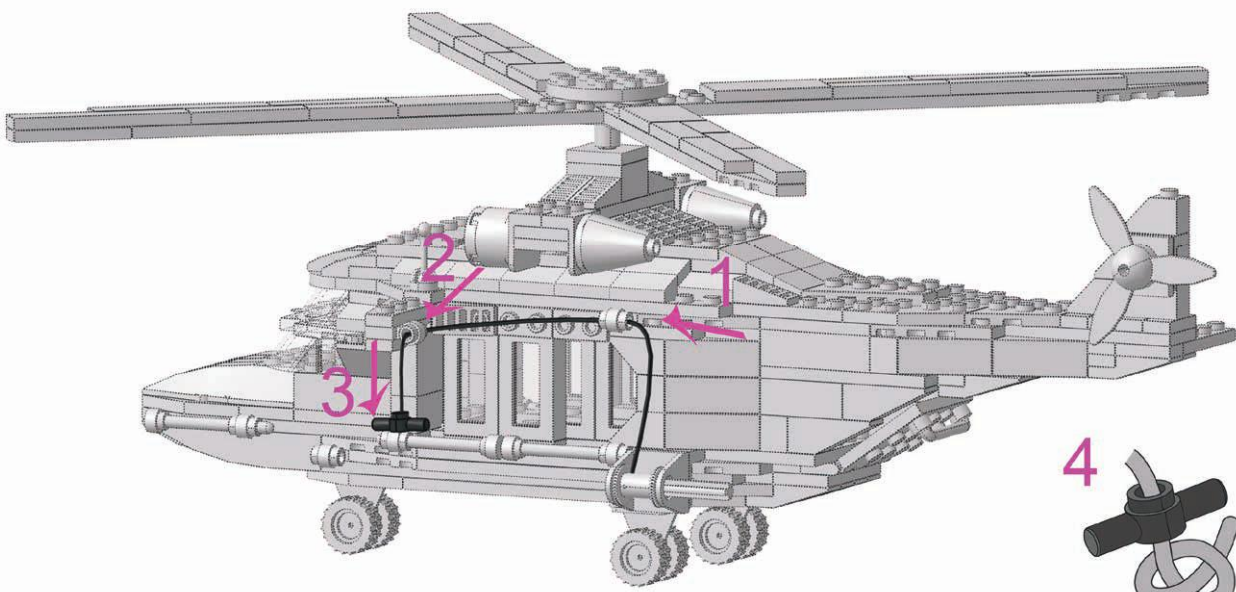
after stringing the string,
tie the knot



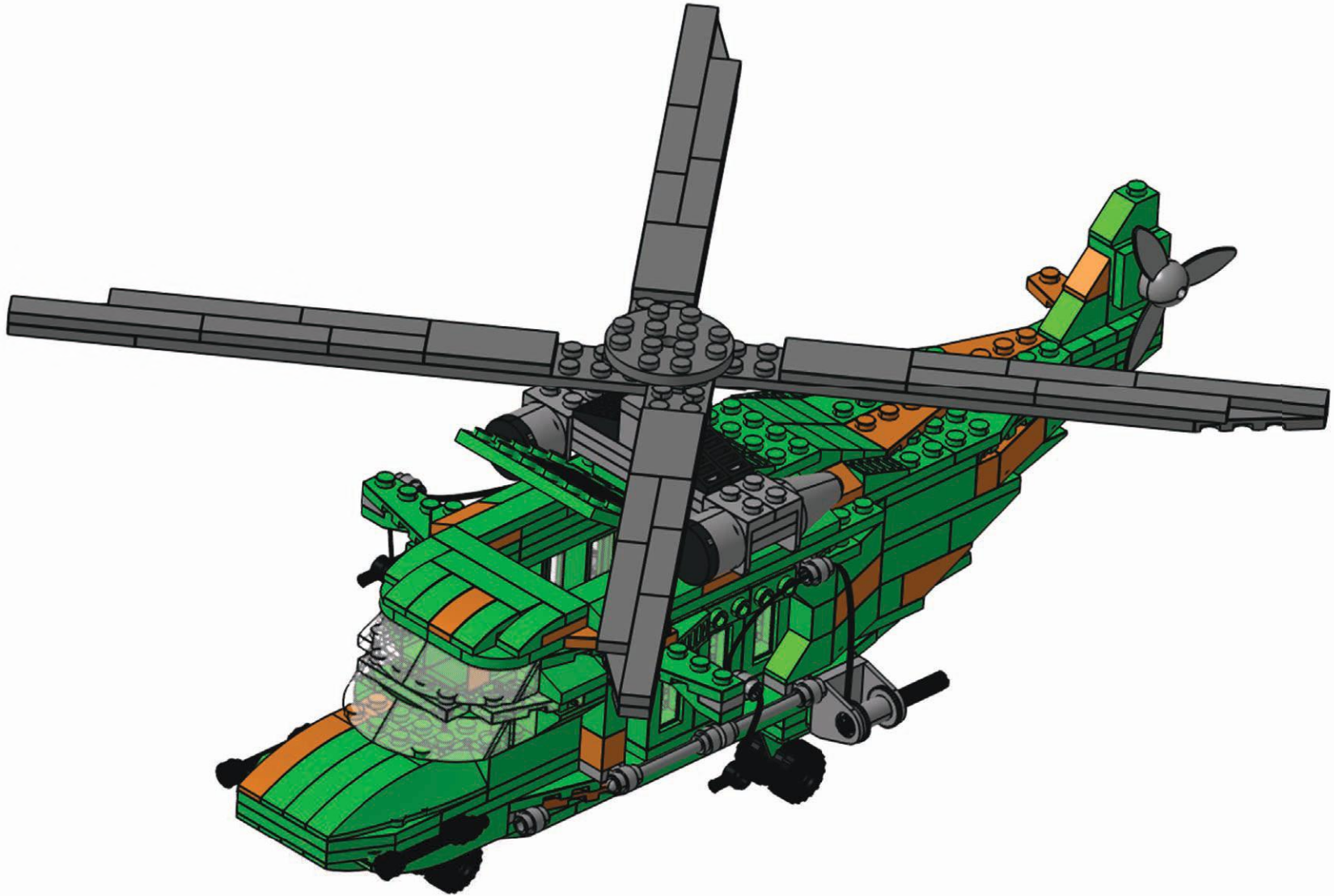


thread a string **1**
before assembling





after stringing the string,
tie the knot





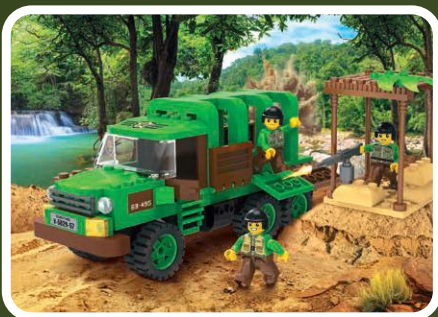
KB0911



KB0912



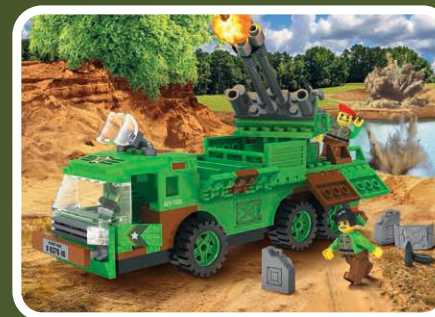
KB0913



KB0914



KB0915



KB0916



KB0917

